

應用 APPLICATIONS

礦業與礦物加工業、水與汙水處理、化工廠、石油與天然氣工業、發電廠、造船工業、高壓流體、蒸氣及高溫流體、一般流體。
Mining & Mineral Processing, Water & Waste Water, Chemical Plant, Oil & Gas Industry, Power Plant, Ship-Building Industry, High Pressure Fluid, Steam & High Temperature Fluid, General Fluid.

技術資料 TECHNICAL DATA

設計 Design	B16.34, API 603, API 600, API 602
尺寸 Size	1/2" ~ 16"
壓力等級 Pressure Rating	600 WOG, Class 150 ~ Class 2500 JIS 10K, PN16
端口 End Connections	牙口端 Threaded End: G5 套焊端 Socket Weld End: G5 法蘭端 Flanged End: G6
產品檢測 Testing	API 598
流量 Bore	全流量 Full Bore

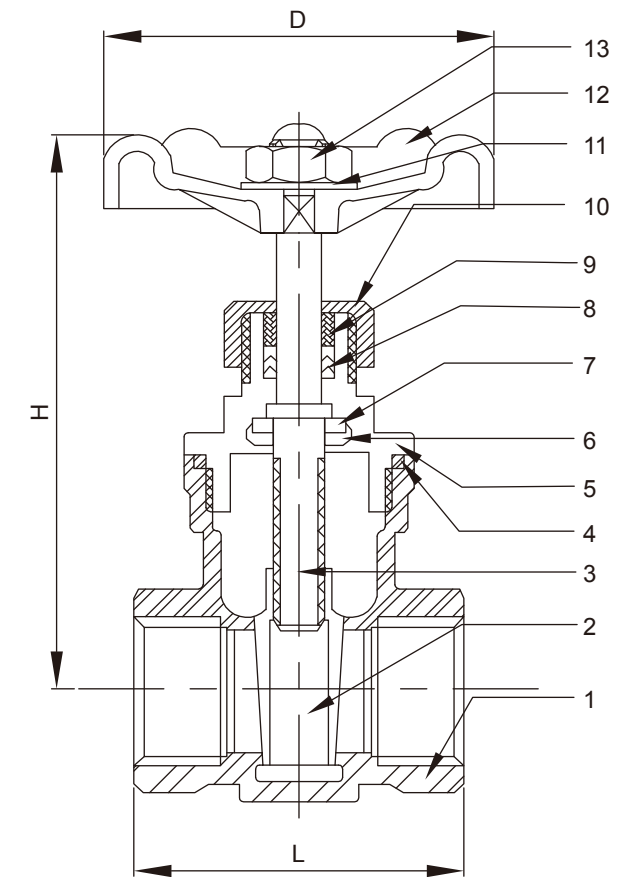
特點 FEATURES

- 以具有競爭力的價格提供卓越的閘閥設計。
- 易燃和非易燃應用的逸散性洩漏控制。可應要求提供。(G6 1/2" ~ 2")
- 閘閥逸散性排放能力通過 ISO 15848-1 第三方認證。可應要求提供。(G6 1/2" ~ 2")
- 根據 ISO 9001 認證的質量體系製造。
- 多種球座材質可供選擇。除了標準的球座材質，球座有以下材質可供選擇。每個球座選項將滿足廣泛的性能，適用於許多應用：
- Metal Seat
- Stellite 6 Body Seat
- Stellite 6 Body + Disc Sealing

- Superior valve design at a competitive price.
- Fugitive emissions control for flammable and non-flammable applications. Available on request. (G6 1/2" ~ 2")
- Valve fugitive emissions capability third-party certified to ISO 15848-1. Available on request. (G6 1/2" ~ 2")
- Manufactured under ISO 9001 certified quality system.
- Various seat material are available. In addition to standard seat material, following variety is available. Each material option will meet a wide range of performance, suitable for many applications.
- Metal Seat
- Stellite 6 Body Seat
- Stellite 6 Body + Disc Sealing

物料表 MATERIAL COMPOSITION

型號 Fig. No. : G5



ITEM	PART NAME	Q'TY	MATERIAL
1	Body	1	316;CF8M
2	Disc	1	316;CF8M
3	Stem	1	316;CF8M
4	Cap	1	316;CF8M
5	Gasket	1	Teflon
6	Snap Pin	1	316
7	Stem Packing	1	316
8	Packing	1	Teflon
9	Gland Washer	1	304;316
10	Cap Nut	1	304;316
11	Spin Washer	1	Aluminum
12	Handle	1	Aluminum
13	Nut	1	304

尺寸圖 DIMENSION LIST

G5 (600psi)

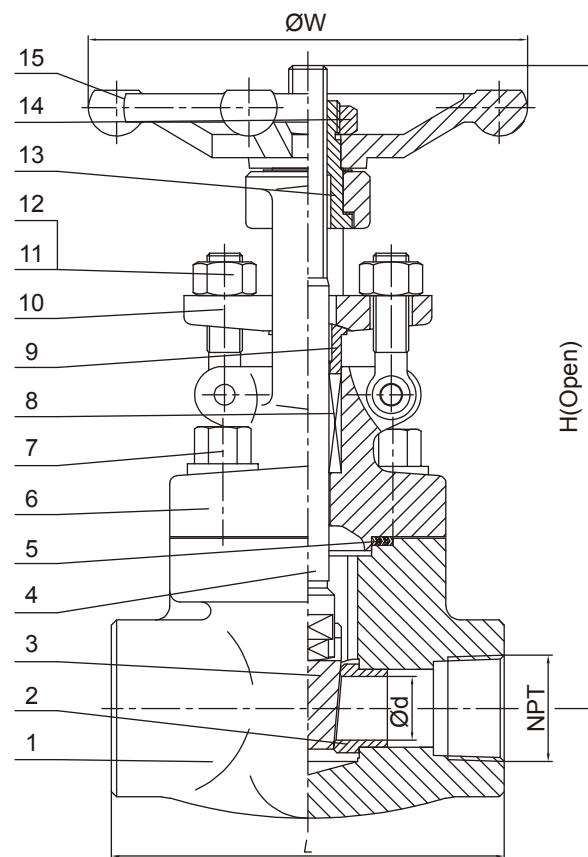
VALVE SIZE	3/8"	1/2"	3/4"	1"	1-1/4"	1-1/2"	2"	2-1/2"	3"
L m/m	55.5	58.0	62.5	70.5	78.5	83.0	96.0	114.5	131.0
H m/m	95.5	99.0	109.0	114.0	135.5	152.0	170.5	215.0	243.0
D m/m	61.0	61.0	61.0	77.0	83.0	83.0	95.0	112.0	112.0
WEIGHT(KG)	0.35	0.42	0.53	0.68	0.95	1.26	1.98	3.43	5.25
CV	7	16	36	68	105	155	290	489	698

* 我方有權隨時變更材質/設計/規格，以便提供品質優良的產品。

We reserve the right to modify the design / specification without previous notice for better quality.

物料表 MATERIAL COMPOSITION

型號 Fig. No. : G5-Forge



ITEM	PART NAME	MATERIAL
1	Body	A105
2	Seat	A276 420
3	Wedge	A182 F6a
4	Stem	A182 F6a
5	Gasket	304SS+Graphite
6	Bonnet	A105
7	Bolt	A193 B7
8	Packing	Graphite
9	Gland	A276 420
10	Gland Flange	A105
11	Gland Eyebolt	A193 B7
12	Nut	A194 2H
13	Stem Nut	A276 410
14	Locking Nut	A29 1035
15	Handwheel	A197

尺寸圖 DIMENSION LIST

G5-Forge (Class 800)

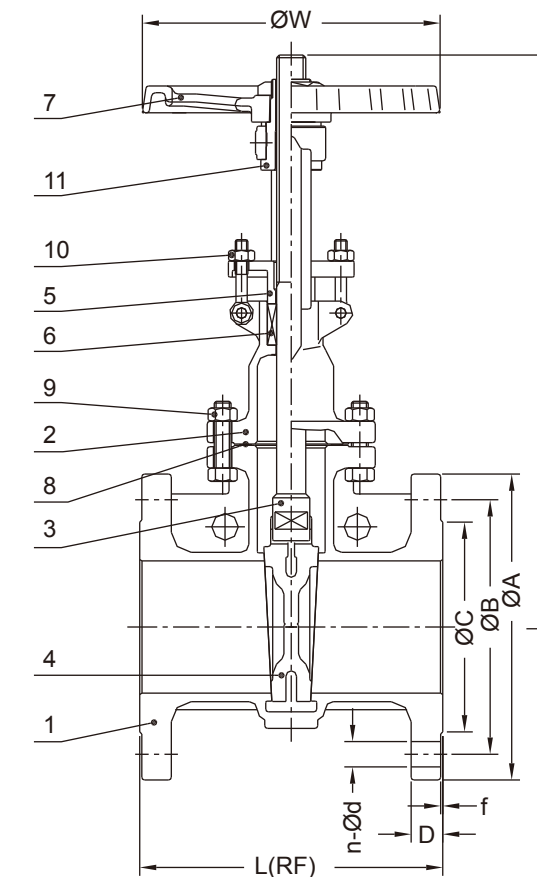
SIZE	CLASS	DIMENSION(mm)				
		L	NPT	Ød	ØW	H
1/2"	800	79	1/2"	10.5	96	150
3/4"	800	92	3/4"	13.5	96	154
1"	800	111	1"	18	120	183
1-1/4"	800	120	1-1/4"	23	150	219
1-1/2"	800	120	1-1/2"	29	150	236
2"	800	140	2"	37	150	273

* 我方有權隨時變更材質/設計/規格，以便提供品質優良的產品。

We reserve the right to modify the design / specification without previous notice for better quality.

物料表 MATERIAL COMPOSITION

型號 Fig. No. : G6



ITEM	PART NAME	MATERIAL
1	Body	A351-CF8/1.4308 A351-CF8M/1.4408
2	Bonnet	A351-CF8/1.4308 A351-CF8M/1.4408
3	Stem	AISI-304/1.4301 AISI-316/1.4401
4	Disc	A351-CF8/1.4308 A351-CF8M/1.4408
5	Gland	A351-CF8/1.4308 A351-CF8M/1.4408
6	Gland Packing	PTFE/Graphite PTFE/Graphite
7	Handwheel	Ductile Iron Ductile Iron
8	Gasket	PTFE/Graphite PTFE/Graphite
9	Bonnet Bolt/Nut	AISI-304/1.4301 AISI-304/1.4301
10	Gland Bolt/Nut	AISI-304/1.4301 AISI-304/1.4301
11	Yoke Sleeve	Bronze/Ductile Iron Bronze/Ductile Iron

尺寸圖 DIMENSION LIST

G6 (Class 150)

SIZE	Unit: mm																
	IN	1/2	3/4	1	1 1/4	1 1/2	2	2 1/2	3	4	5	6	8	10	12	14	16
L(RF)	108	117	127	140	165	178	190	203	229	254	267	292	330	356	381	406	
L1(BW)	108	117	127	140	165	216	241	283	305	381	403	419	457	502	572	610	
H	195	200	231	293	293	321	397	447	534	636	703	903	1119	1311	1480	1855	
ØW	100	100	120	140	140	160	180	200	225	250	270	355	400	450	550	550	
ØA	89	98	108	117	127	152	178	190	229	254	279	343	406	483	533	597	
ØB	60.5	70	79.5	89	98.5	120.5	139.5	152.5	190.5	216	241.5	298.5	362	432	476.5	540	
ØC	35	43	51	64	73	92	105	127	157	186	216	270	324	381	413	470	
D	11.2	11.2	11.2	12.7	14.3	15.9	17.5	19.1	23.9	23.9	25.4	28.6	30.2	31.8	35	36.6	
f	1.6	1.6	1.6	1.6	1.6	1.6	1.6	1.6	1.6	1.6	1.6	1.6	1.6	1.6	1.6	1.6	
n-Ød	4-16	4-16	4-16	4-16	4-16	4-19	4-19	4-19	8-19	8-22	8-22	8-22	12-25	12-25	12-29	16-29	
WEIGHT(KG)	3	3.5	4.5	6.5	8.3	10.2	17.2	20	30	41	58.5	85.4	129	205	285	355	

G6 (PN16)

SIZE	Unit: mm													
	IN	1/2	3/4	1	1 1/2	2	2 1/2	3	4	5	6	8	10	12
L(RF)	F4	115	120	125	140	150	170	180	190	200	210	230	250	270
	F5					250	270	280	300	325	350	400		
H		195	200	231	293	321	397	447	534	636	703	903	1119	1311
ØW		100	100	120	140	160	180	200	225	250	270	355	400	450
ØA		95	105	115	150	165	185	200	220	250	285	340	405	460
ØB		65	75	85	110	125	145	160	180	210	240	295	355	410
ØC		45	58	68	88	102	122	138	158	188	212	268	320	378
D		14	16	16	16	18	18	20	20	22	22	24	26	28
f		2	2	2	3	3	3	3	3	3	3	3	3	4
n-Ød		4-14	4-14	4-14	4-18	4-18	4-18	8-18	8-18	8-18	8-22	12-22	12-26	12-26

* 我方有權隨時變更材質/設計/規格，以便提供品質優良的產品。

We reserve the right to modify the design / specification without previous notice for better quality.