



MODEL **B01 / R7**

應用 APPLICATIONS

礦業與礦物加工業、紙漿和造紙、水與汙水處理、化工廠、石油與天然氣工業、高壓流體、蒸氣及高溫流體、汽車工業、造船業、一般流體。
Mining & Mineral Processing, Pulp & Paper, Water & Waste Water, Chemical Plant, Oil & Gas, High Pressure Fluid, Steam & High Temperature Fluid, Automotive Industry, Ship-Building Industry, General Fluid.

技術資料 TECHNICAL DATA

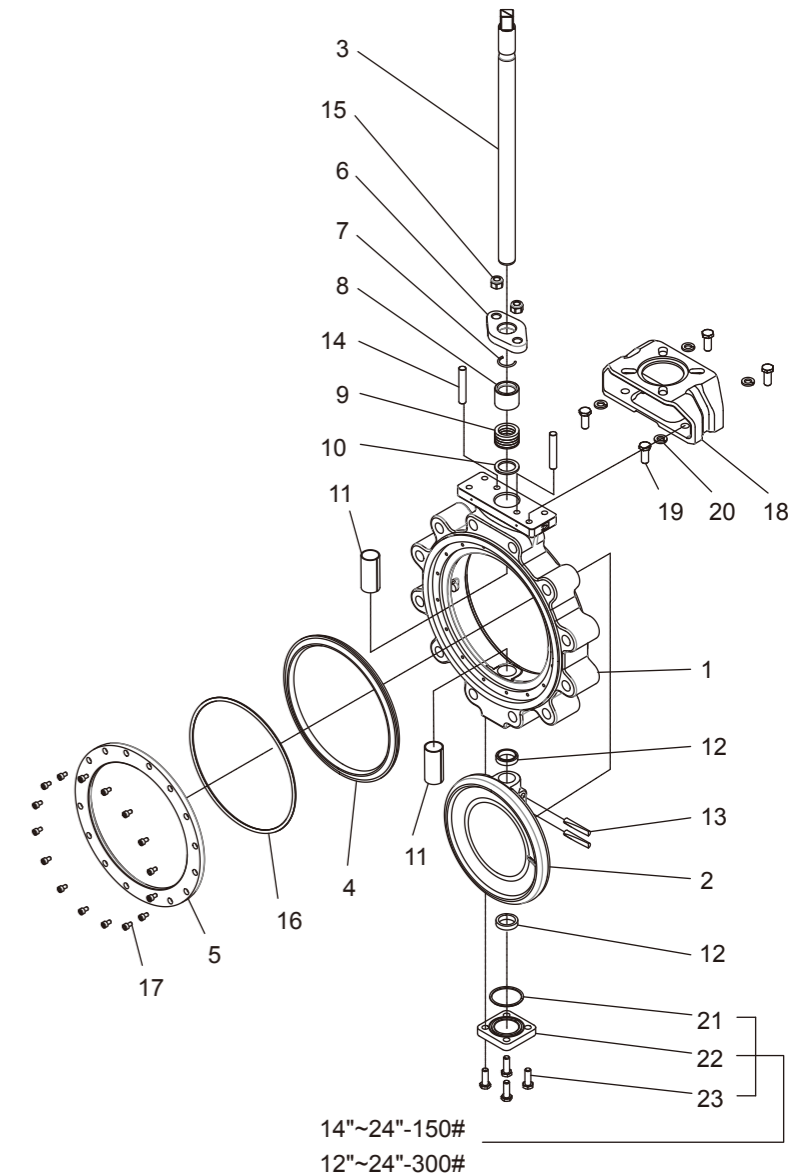
設計 Design	API 609
尺寸 Size	3" ~ 24"
壓力等級 Pressure Rating	PN10, PN16, PN25, PN40, JIS 10, Class 150, Class 300
端口 End Connections	對夾式、凸耳式、法蘭 Wafer, Lug, Flanged
產品檢測 Testing	API 598

特點 FEATURES

- 以具有競爭力的價格提供卓越的閥門設計。
- 偏心蝶板與偏置的軸提供閥門開啟時，蝶板能迅速脫離閥座密封面，使蝶板與閥座密封面只有短暫接觸時間，延長閥門使用壽命，同時也保持蝶板整個周邊的密封性。(EA-B01, EA-B03)
- 可直接安裝執行器的 ISO 平台架，不需支架連接桿，節省成本、空間及時間。可應要求提供。
- 中軸Packing具備Live Loading設計 (具備盤型華司組) 可以滿足低洩漏產品要求。(EA-B01, EA-B03)
- 12"以下閥體採整體式設計降低閥體產生洩漏的風險。(EA-B01, EA-B03)
- 雙向密封，密封和調節性能好。
- 新穎的密封閥座及壓蓋的設計，易於更換，可降低現場維護成本。
- 防噴出軸心設計。
- 較低的操作扭力，便於操作並降低執行器成本。
- 明確的開關位置指示。
- 根據 ISO 9001 認證的質量體系製造。
- Superior valve design at a competitive price.
- Offset disc and shaft helps sealing surface of disc move quickly off the sealing surface of valve seat when opening the valve. The short contact time of two sealing surfaces extends the life of the valve, and ensures entire sealing function. (EA-B01, EA-B03)
- Machined ISO actuator mounting pad for directly mount actuator, bracket and adaptor is unnecessary, save cost, space and time. Available on request.
- Packing with Live Loading design (with disc washer) for low emission requirement. (EA-B01, EA-B03)
- Integral valve body for 12" and below, to lower the risk of leaking. (EA-B01, EA-B03)
- Bi-directional sealing: Superior sealing and regulating function.
- Design of seat and cover plate for ease of seat replacement - lowers maintenance cost.
- Blow-out-proof shaft design.
- Lower operating torque for ease of operation and reduced actuator cost.
- Positive position indication.
- Manufactured under ISO 9001 certified quality system.

物料表 MATERIAL COMPOSITION

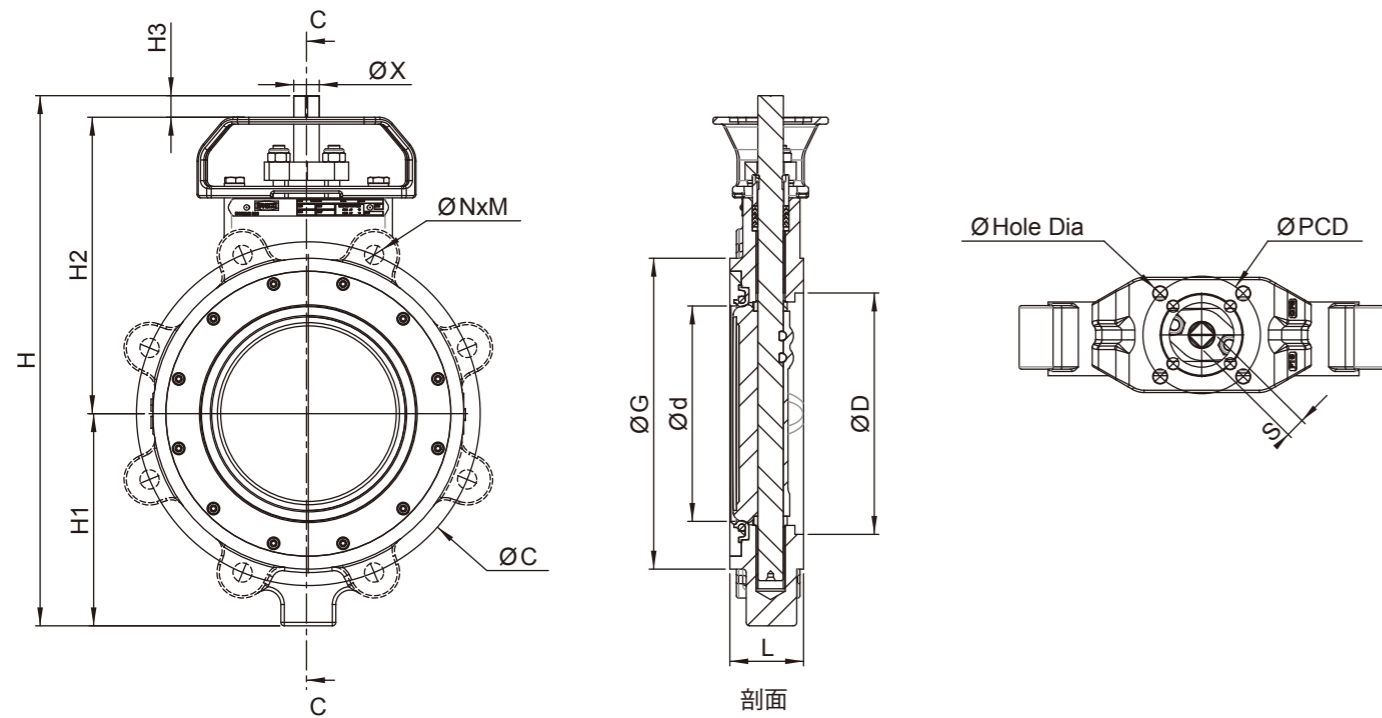
型號 Fig. No. : B01



ITEM	PART NAME	MATERIAL	ITEM	PART NAME	MATERIAL
1	Body	A351 CF8M	13	Key	A564 17-4PH
2	Disc	A351 CF8M	14	Stud	A193 B8
3	Shaft	A564 17-4PH	15	Anti-loose Nut	A194-8
4	Seat Ring	PTFE	16	O-ring	VITON
5	Embedding Ring	A182 F316	17	Socket Head Bolt	A193 B8
6	Seat Retainer	A351 CF8M	18	Bracket	A351 CF8M
7	Fixing Ring	INCONEL X750	19	Hexagon Bolt	A2-70
8	Upper packing bush	SS316	20	Spring Washer	SS304
9	Packing	PTFE	21	Lower Cap Gasket	PTFE
10	Lower Packing Bush	SS316	22	Lower Cap	A351 CF8M
11	Self-lubricating Bearing	SS316+PTFE	23	Hexagon Bolt	A2-70
12	Bush	SS316+Cr Plating			

* 我方有權隨時變更材質/設計/規格，以便提供品質優良的產品。
We reserve the right to modify the design / specification without previous notice for better quality.

尺寸圖 DIMENSION LIST



B01 (Class 150)

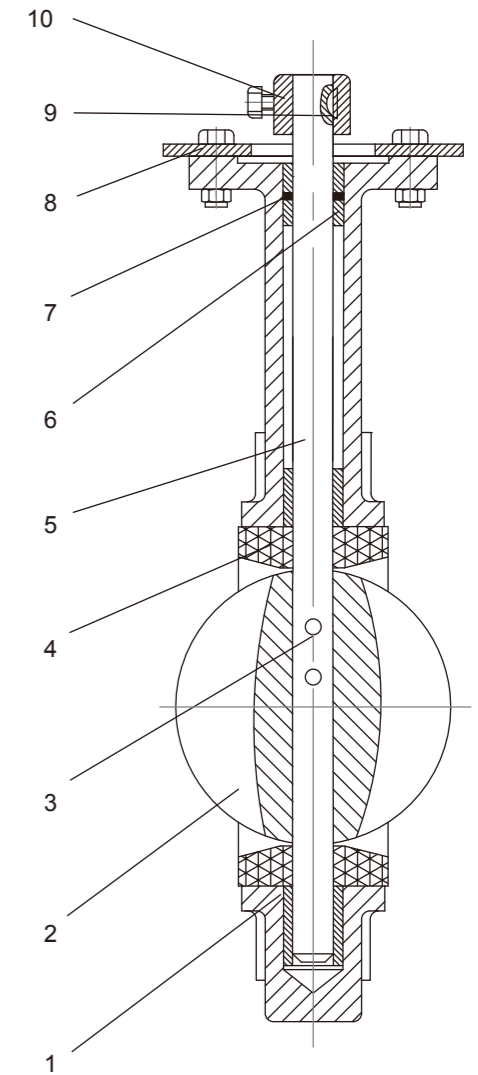
SIZE		L	H	H1	H2	H3	D	d	G	S	X	Mounting Data ISO 5211			Approx. Weight (KG)	Lug C
IN	DN											PCD	O. HOLES	HOLE DIA.		
3	80	48	315	111	191	13	89	73	127	11	16	F10	4	12	7	152
4	100	54	340	121	203	16	114	95	157	11	16	F10	4	12	8	191
6	150	57	375	134	222	19	158	142	216	14	19	F10	4	12	14	241
8	200	64	460	184	257	19	209	187	270	17	22.2	F10	4	12	21	298
10	250	71	560	224	312	24	254	235	324	22	28.4	F10/F12	4	12/14	34	362
12	300	81	633	263	340	30	305	281	381	27	34.7	F10/F12	4	12/14	46	432
14	350	92	755	295	420	40	340	322	413	36	47.7	F16	4	22	75	476
16	400	102	805	319	448	40	397	363	480	36	47.7	F16	4	22	99	540
18	450	114	857	347	471	40	448	413	534	36	54	F16	4	22	135	578
20	500	127	906	366	493	47	489	455	585	46	60	F16	4	22	170	635
24	600	154	1121	456	615	50	590	548	692	46	70	F16	4	22	272	749

* 我方有權隨時變更材質/設計/規格，以便提供品質優良的產品。

We reserve the right to modify the design / specification without previous notice for better quality.

物料表 MATERIAL COMPOSITION

型號 Fig. No. : R7

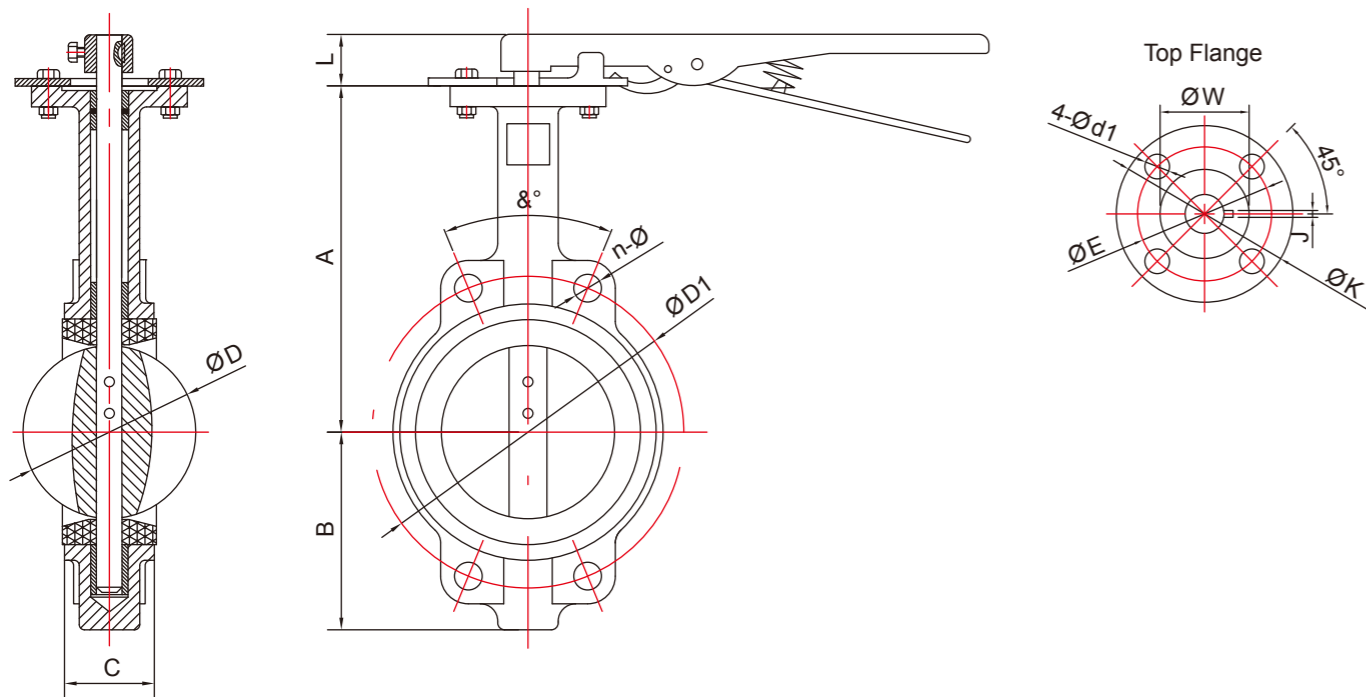


No.	PART NAME	MATERIAL
1	Body	DI/WCB/CF8/CF8M
2	Disc	DI/WCB/CF8/CF8M
3	Pin	SS416/SS420/SS316/SS304
4	Seat	EPDM/NBR/VITON
5	Stem	SS416/SS420/SS316/SS304
6	Bushing	PTFE
7	O-Ring	NBR
8	Indicator	Carbon Steel
9	Key	Carbon Steel
10	Lever	Malleable Iron

* 我方有權隨時變更材質/設計/規格，以便提供品質優良的產品。

We reserve the right to modify the design / specification without previous notice for better quality.

尺寸圖 DIMENSION LIST



R7 (150LB)

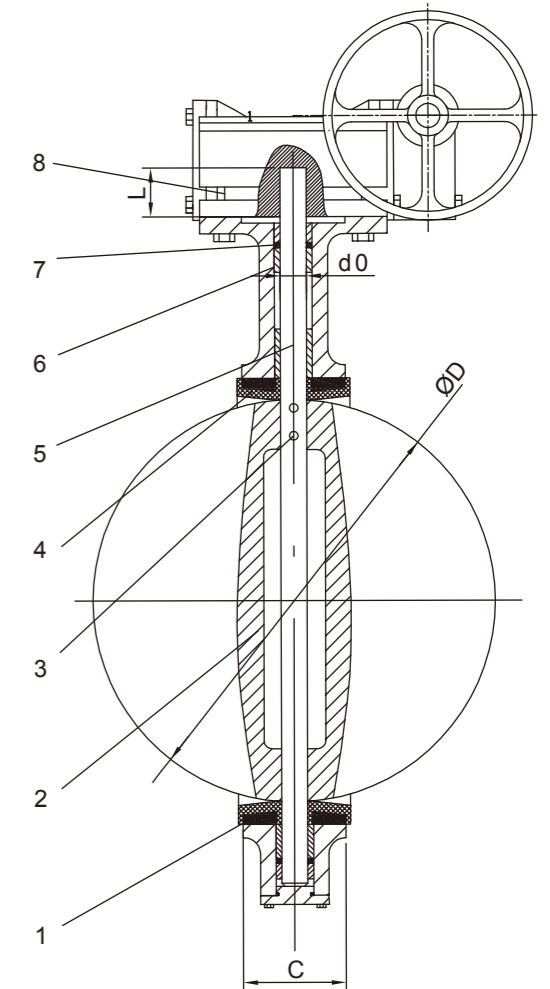
SIZE	A	B	C	D	d0	L	D1	4-Ø	&°	ØK	ØE	ØW	4-Ød1	J
1.5"	132	75	33	41	12.6	30	98.5	4-16	90	65	50	35	4-7	3
2"	161	80	43	52.6	12.6	30	120.5	4-18	90	65	50	35	4-7	3
2.5"	175	89	46	64.3	12.6	30	139.5	4-18	90	65	50	35	4-7	3
3"	181	95	46	78.8	12.6	30	152.5	4-18	45	65	50	35	4-7	3
4"	200	114	52	104	15.77	30	190.5	4-18	45	90	70	55	4-10	5
5"	213	127	56	123.3	18.92	30	216	4-22	45	90	70	55	4-10	5
6"	226	139	56	155.7	18.92	30	241.5	4-22	45	90	70	55	4-10	5
8"	260	175	60	202.41	22.1	45	298.5	4-22	45	125	102	70	4-12	5
10"	292	203	68	250.42	28.45	45	362	4-26	30	125	102	70	4-12	8
12"	337	242	78	301.5	31.6	45	432	4-26	30	125	102	70	4-12	8

* 我方有權隨時變更材質/設計/規格，以便提供品質優良的產品。

We reserve the right to modify the design / specification without previous notice for better quality.

物料表 MATERIAL COMPOSITION

型號 Fig. No. : R7



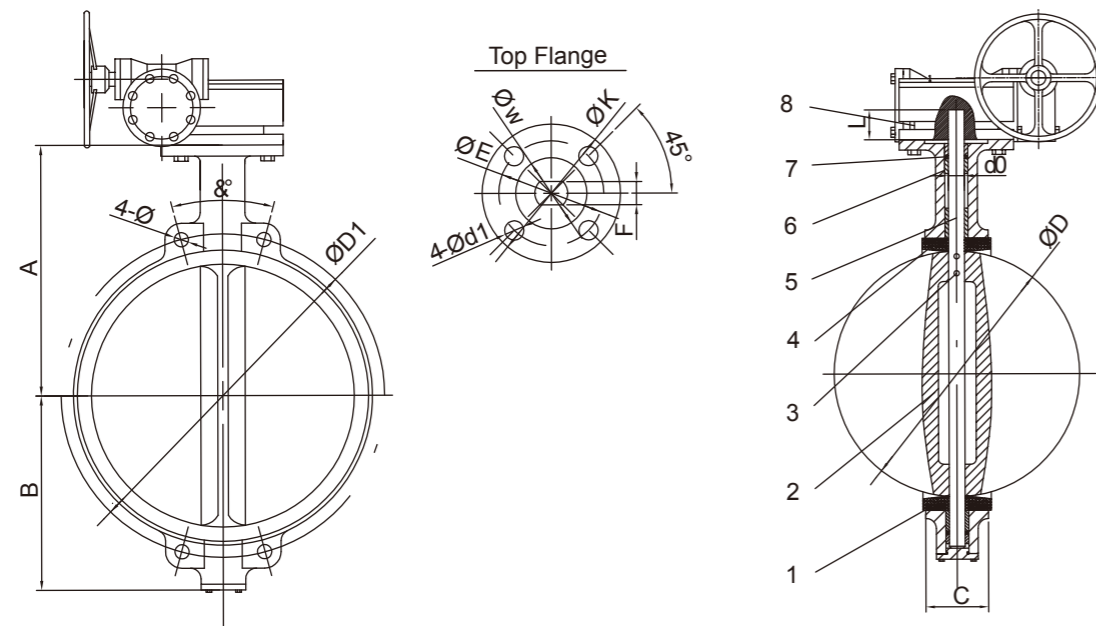
No.	PART NAME	MATERIAL
1	Body	DI/WCB/CF8/CF8M
2	Disc	DI/WCB/CF8/CF8M
3	Pin	SS416/SS420/SS316/SS304
4	Seat	EPDM/NBR/VITON
5	Stem	SS416/SS420/SS316/SS304
6	Bushing	PTFE
7	O-Ring	NBR
8	Gear	Cast Iron

* 我方有權隨時變更材質/設計/規格，以便提供品質優良的產品。

We reserve the right to modify the design / specification without previous notice for better quality.



尺寸圖 DIMENSION LIST



R7 (150LB)

SIZE	A	B	C	D	d0	L	N-Ø	D1	α	ØK	ØE	ØW	4-Qd1	F
14"	368	268	78	333.5	31.6	45	4-29.5	476	30	125	102	70	4-12	24
16"	400	360	102	389.6	37.95	70	4-29.5	539.7	22.5	175	140	100	4-18	27
18"	422	328	114	440.5	42.86	70	4-31.8	577.8	22.5	175	140	100	4-18	27
20"	480	309	127	491.6	44.72	75	4-31.8	635	18	175	140	100	4-18	32
24"	562	268	154	529.5	53.98	80	20-35.1	749.3	18	210	165	130	4-23	36

* 我方有權隨時變更材質/設計/規格，以便提供品質優良的產品。

We reserve the right to modify the design / specification without previous notice for better quality.