

**應用 APPLICATIONS**

礦業與礦物加工業、水與汙水處理、化工廠、石油與天然氣工業、高壓流體、蒸氣及高溫流體、壓縮天然氣與液化天然氣、一般流體。  
Mining & Mineral Processing, Water & Waste Water, Chemical Plant, Oil & Gas, High Pressure Fluid, Steam & High Temperature Fluid, CNG & LNG, General Fluid.

**技術資料 TECHNICAL DATA**

|                         |                                 |
|-------------------------|---------------------------------|
| 設計<br>Design            | ASME B16.34                     |
| 尺寸<br>Size              | 1/2" ~ 8"                       |
| 壓力等級<br>Pressure Rating | ASME Class 150, 300             |
| 端口<br>End Connections   | 法蘭端<br>Flanged End              |
| 產品檢測<br>Testing         | API 598                         |
| 流量<br>Bore              | 減流量<br>Reduced Bore             |
| 認證<br>Certificate       | API 607<br>AGA AS 4617, AS 4629 |

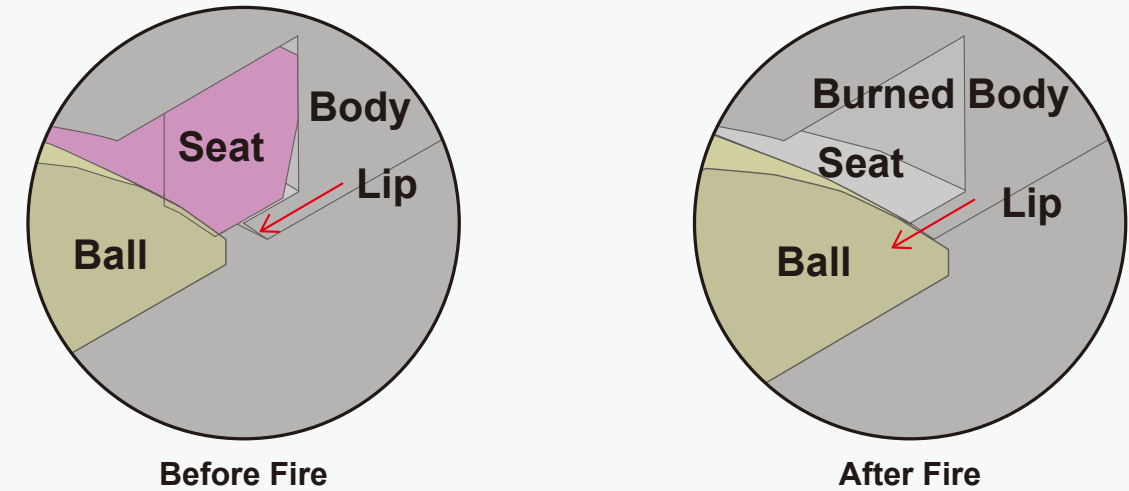


**特點 FEATURES**

- 以具有競爭力的價格提供卓越的閥門設計。
  - 可使用於執行器的 ISO 平台架。
  - RPTFE密封消除了對產品污染的擔憂。
  - 防火認證 API 607。可應要求提供。
  - 較低的操作扭力，便於操作並降低執行器成本。
  - 明確的開關位置指示。
  - 防爆軸心。
  - NACE MR0175 可應要求提供。
  - 可使用附鎖裝置。
  - 防靜電裝置。
  - 根據 ISO 9001 認證的質量體系製造。
  - 多種球座材質可供選擇。
- 除了標準的球座材質，球座有以下材質可供選擇。每個球座選項將滿足廣泛的性能，適用於許多應用：
- PTFE + 15% Glass Fiber
  - PTFE + 25% Carbon Fiber
  - Modified PTFE
  - Modified PTFE + 25% Carbon Fiber
  - PTFE + 50% SS
  - PEEK
  - UHMWPE
- \* 請參考溫壓圖
- Superior valve design at a competitive price.
  - Machined ISO actuator mounting pad.
  - RPTFE seal relieves concern over product contamination.
  - Fire test certified to API 607. Available on request.
  - Lower operating torque for ease of operation and reduced actuator cost.
  - Positive position indication.
  - Blowout-proof shaft.
  - NACE MR0175 available on request.
  - Locking device is available.
  - Anti-Static device.
  - Manufactured under ISO 9001 certified quality system.
  - Various seat material are available.
- In addition to standard seat material, following variety is available. Each material option will meet a wide range of performance, suitable for many applications.
- PTFE + 15% Glass Fiber
  - PTFE + 25% Carbon Fiber
  - Modified PTFE
  - Modified PTFE + 25% Carbon Fiber
  - PTFE + 50% SS
  - PEEK
  - UHMWPE
- \* Please refer to the Pressure-Temperature rating.

MODEL **503 / 507**

**球座防火說明 FIRE SAFE STATEMENT FOR SEAT**



**503剖面圖**

雙D設計。平面平行於流向，標示球的位置

Double D design. Flats parallel to flow, indicates ball position

不銹鋼鎖壓片以及螺栓  
Stainless steel bolted gland flange & bolts

附鎖裝置  
Locking device for open & close positions

ISO 5211 平台架  
ISO 5211 mounting pad

用於防火球閥的柔性石墨填料  
Flexible graphite gland packing for fire safe valves

柔性石墨大薄片  
Flexible graphite gasket

提高P/T等級的RPTFE 球座  
RPTFE seats for improved P/T rating

API 608 標準流  
API 608 regular port

鎖牙片鎖入閥體  
Body insert

防靜電裝置  
Anti-static device

符合標準墊片使用的粗糙度 3.2 ~ 6.3 Ra  
3.2~6.3 Ra standard gasket face finish

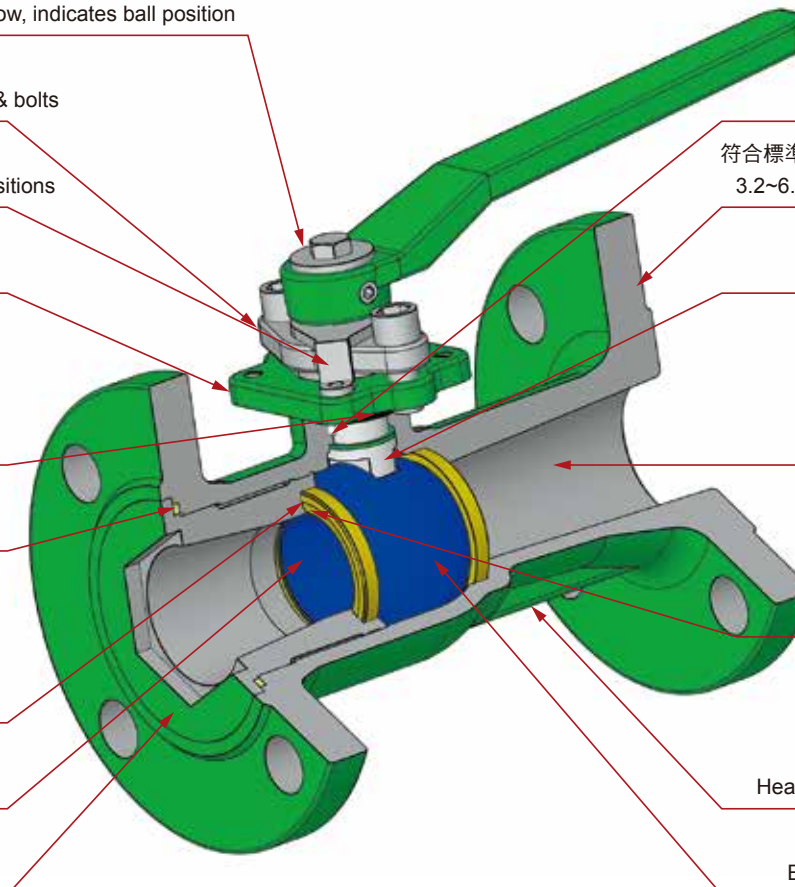
防爆軸心  
Blowout-proof stem

碳鋼跟不銹鋼閥門皆使用不銹鋼材質的球跟軸心  
316 stainless steel ball & stem on both carbon steel & stainless steel valves

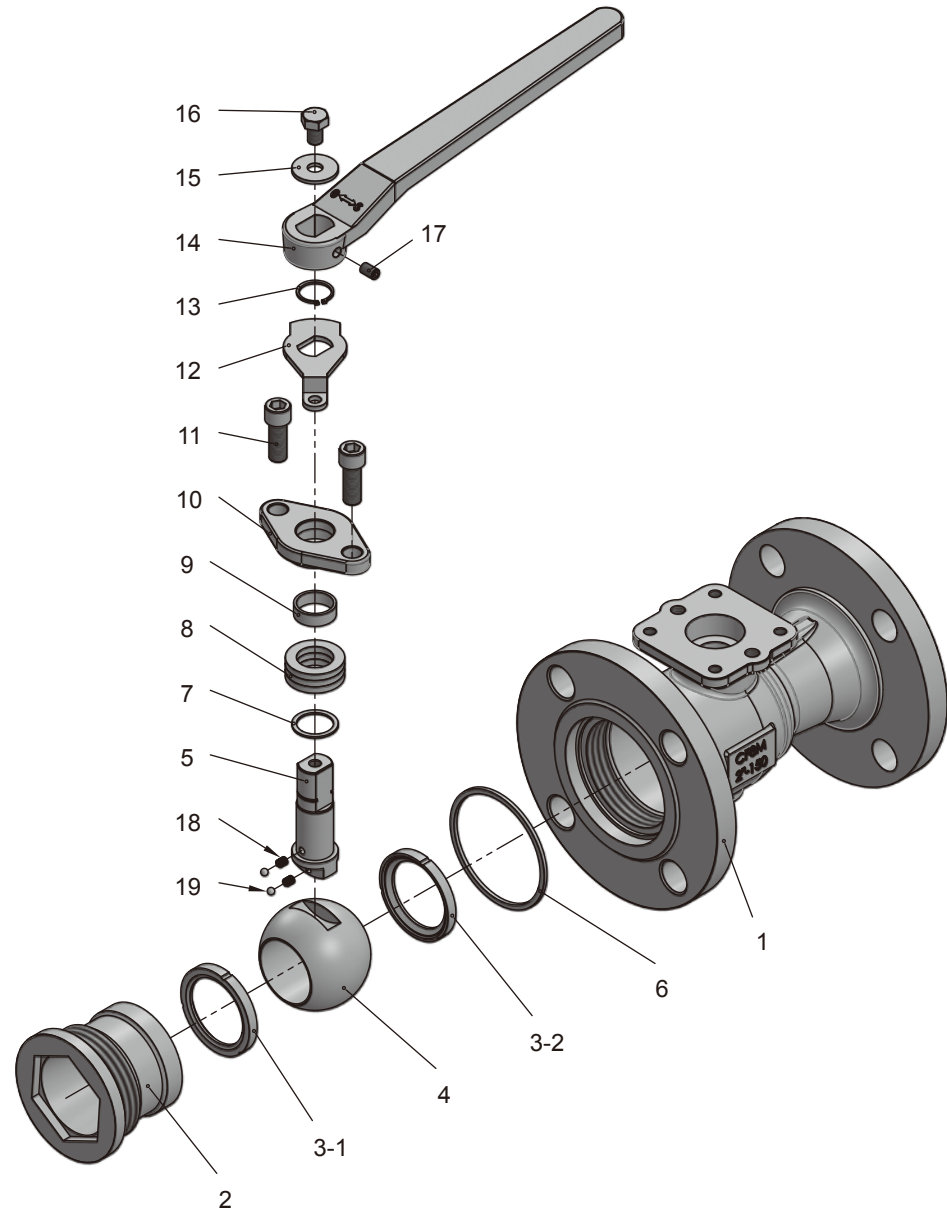
用於防火跟二次密封的金屬唇  
Metal lip for firesafe & secondary sealing

閥體上的爐號可追溯  
Heat number on body for traceability

球面精加工至3微米  
Ball surface finished to 3 microns



物料表 MATERIAL COMPOSITION

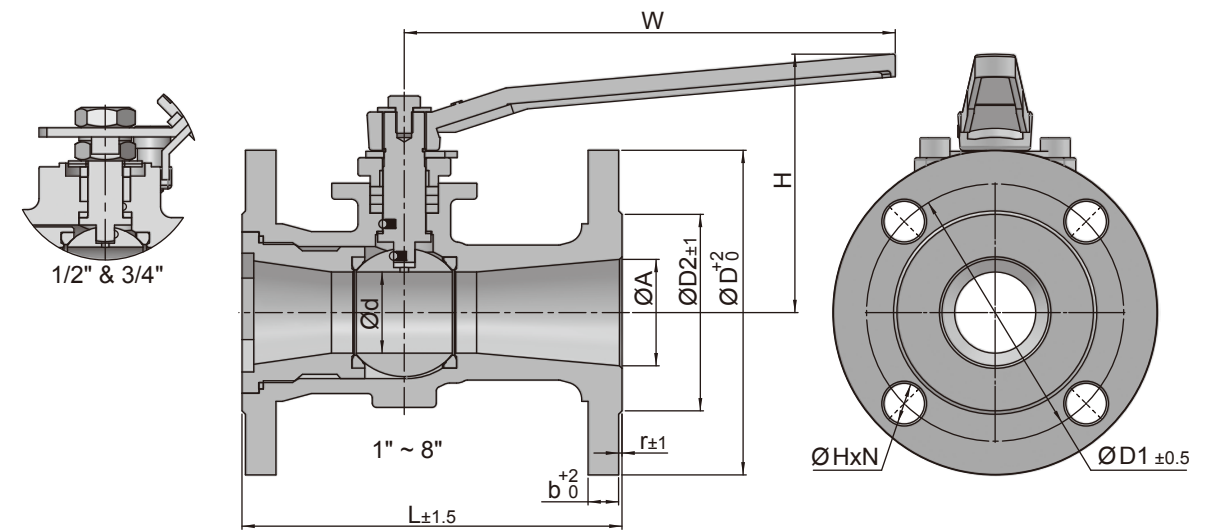


| ITEM | PART NAME     | STAINLESS STEEL | CARBON STEEL  | ITEM | PART NAME     | STAINLESS STEEL | CARBON STEEL |
|------|---------------|-----------------|---------------|------|---------------|-----------------|--------------|
| 1    | Body          | A351-CF8M       | A216-WCB      | 11   | Hex Bolt      | SS 304          | SS 304       |
| 2    | Seat Retainer | A351-CF8M       | A216-WCB      | 12   | Stopper       | SS 304          | SS 304       |
| 3    | Seat          | PTFE+15% G.F.   | PTFE+15% G.F. | 13   | Snap Ring     | SS 420          | SS 420       |
| 4    | Ball          | A351-CF8M       | A351-CF8M     | 14   | Handle        | A216-WCB        | A216-WCB     |
| 5    | Stem          | SS 316          | SS 316        | 15   | Flat Washer   | SS 304          | SS 304       |
| 6    | Body Seal     | GRAPHITE        | GRAPHITE      | 16   | Hex Bolt      | SS 304          | SS 304       |
| 7    | Gasket        | PTFE            | PTFE          | 17   | Screw         | STEEL           | STEEL        |
| 8    | Packing       | GRAPHITE        | GRAPHITE      | 18   | Spring        | SS 316          | SS 316       |
| 9    | Stem Bearing  | PTFE            | PTFE          | 19   | Static Device | SS 316          | SS 316       |
| 10   | Gland Flange  | A351-CF8        | A351-CF8      |      |               |                 |              |

\* 我方有權隨時變更材質/設計/規格，以便提供品質優良的產品。

We reserve the right to modify the design / specification without previous notice for better quality.

尺寸圖 DIMENSION LIST



**503 (Class 150)**

| SIZE   | d    | A   | D2  | D1    | D   | b    | r   | L   | ØH-N | W   | H     | ISO5211 |
|--------|------|-----|-----|-------|-----|------|-----|-----|------|-----|-------|---------|
| 1/2"   | 12.7 | 16  | 35  | 60.5  | 90  | 9.5  | 1.6 | 108 | 16x4 | 140 | 77    | F03     |
| 3/4"   | 15.8 | 20  | 43  | 70    | 100 | 9.5  | 1.6 | 117 | 16x4 | 140 | 81    | F03     |
| 1"     | 20   | 25  | 51  | 79.5  | 108 | 9.7  | 1.6 | 127 | 16x4 | 135 | 83.5  | F05     |
| 1-1/2" | 32   | 38  | 73  | 98.5  | 127 | 12.7 | 1.6 | 165 | 16x4 | 160 | 100.1 | F05     |
| 2"     | 38   | 50  | 92  | 120.5 | 152 | 14.2 | 1.6 | 178 | 19x4 | 230 | 121   | F07     |
| 2-1/2" | 50   | 65  | 105 | 139.5 | 178 | 15.7 | 1.6 | 190 | 19x4 | 230 | 132.2 | F07     |
| 3"     | 58   | 80  | 127 | 152.5 | 190 | 17.5 | 1.6 | 203 | 19x4 | 350 | 147.1 | F10     |
| 4"     | 76   | 100 | 157 | 190.5 | 229 | 22.4 | 1.6 | 229 | 19x8 | 350 | 165.9 | F10     |
| 6"     | 111  | 150 | 216 | 241.5 | 279 | 23.9 | 1.6 | 267 | 22x8 | 400 | 199   | F10     |
| 8"     | 144  | 200 | 270 | 298.5 | 343 | 26.9 | 1.6 | 292 | 22x8 | 800 | 270.7 | F12     |

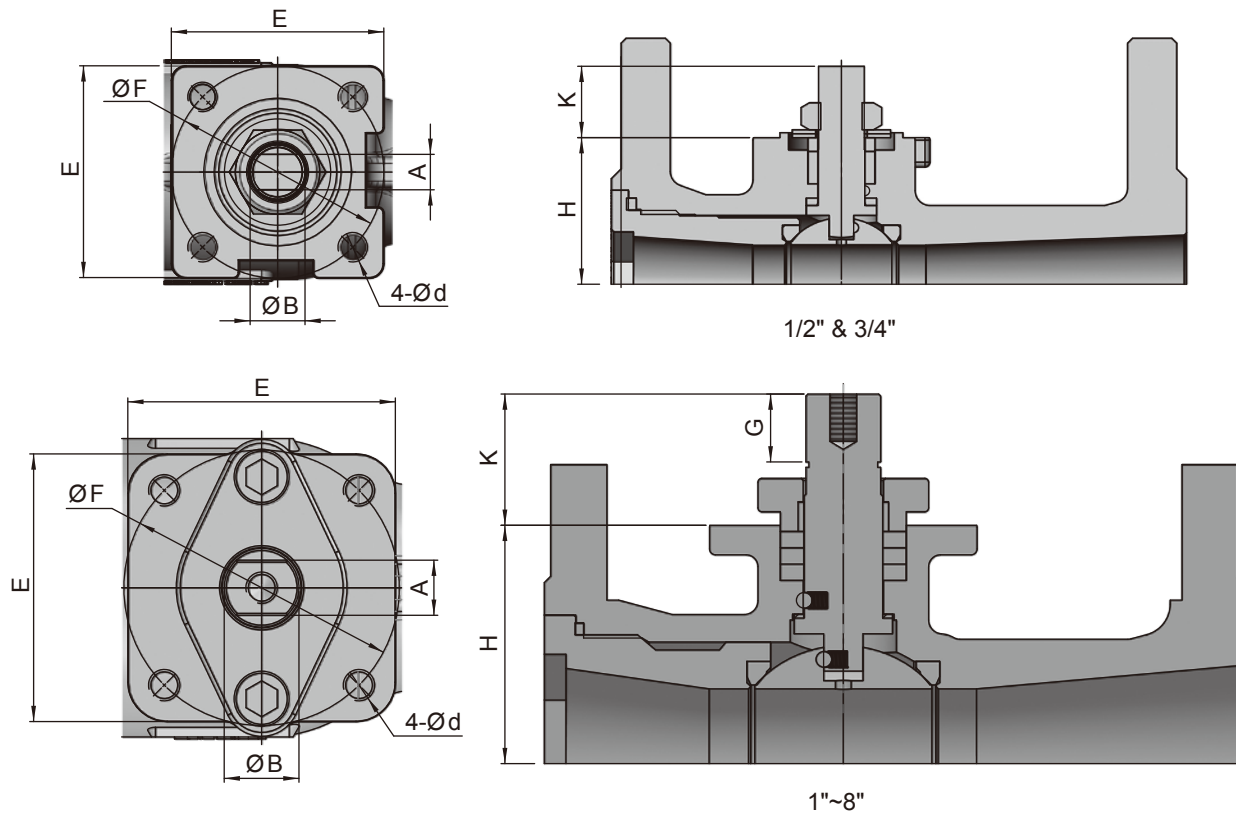
**507 (Class 300)**

| SIZE   | d    | A   | D2  | D1    | D   | b    | r   | L   | ØH-N  | W   | H     | ISO5211 |
|--------|------|-----|-----|-------|-----|------|-----|-----|-------|-----|-------|---------|
| 1/2"   | 12.7 | 16  | 35  | 66.5  | 95  | 12.7 | 1.6 | 140 | 16x4  | 140 | 77    | F03     |
| 3/4"   | 15.8 | 20  | 43  | 82.5  | 117 | 14.5 | 1.6 | 152 | 19x4  | 140 | 81    | F03     |
| 1"     | 20   | 25  | 51  | 89    | 124 | 15.7 | 1.6 | 165 | 19x4  | 135 | 86.4  | F05     |
| 1-1/2" | 32   | 38  | 73  | 114.5 | 155 | 19   | 1.6 | 190 | 22x4  | 160 | 103   | F05     |
| 2"     | 38   | 50  | 92  | 127   | 165 | 20.6 | 1.6 | 216 | 19x8  | 230 | 125   | F07     |
| 3"     | 58   | 80  | 127 | 168   | 210 | 26.9 | 1.6 | 283 | 22x8  | 350 | 147.1 | F10     |
| 4"     | 76   | 100 | 157 | 200   | 254 | 30.2 | 1.6 | 305 | 22x8  | 350 | 165.9 | F10     |
| 6"     | 111  | 150 | 216 | 270   | 318 | 35.1 | 1.6 | 403 | 22x12 | 400 | 222.5 | F10     |
| 8"     | 144  | 200 | 270 | 330   | 381 | 39.6 | 1.6 | 419 | 25x12 | 800 | 270.7 | F12     |

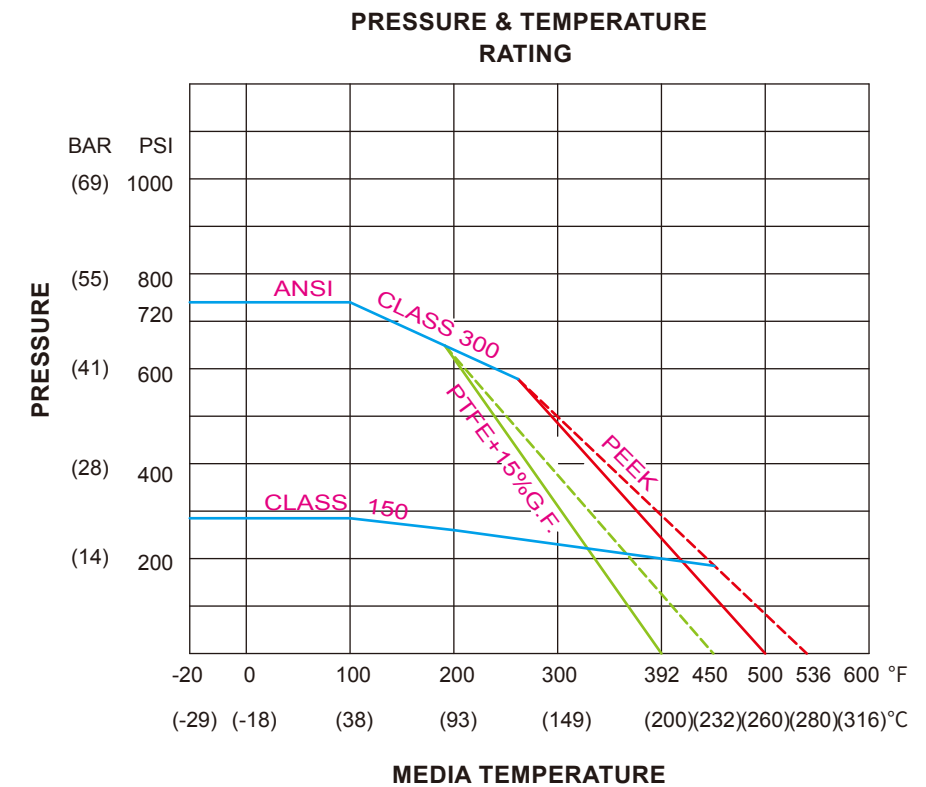
\* 我方有權隨時變更材質/設計/規格，以便提供品質優良的產品。

We reserve the right to modify the design / specification without previous notice for better quality.

平台架尺寸 DIMENSIONS OF ISO MOUNTING PAD



溫度壓力曲線圖 P/T CHART



**503 (Class 150)**

| SIZE   | A  | B   | d   | E    | F   | G    | K    | H     | ISO5211 |
|--------|----|-----|-----|------|-----|------|------|-------|---------|
| 1/2"   | 6  | 9.5 | M5  | 36   | 36  | -    | 15.9 | 24    | F03     |
| 3/4"   | 6  | 9.5 | M5  | 36   | 36  | -    | 14.8 | 29.3  | F03     |
| 1"     | 8  | 12  | M6  | 48   | 50  | 7.5  | 19.4 | 38.5  | F05     |
| 1-1/2" | 10 | 15  | M6  | 48   | 50  | 13.2 | 27.1 | 50.6  | F05     |
| 2"     | 14 | 19  | M8  | 68   | 70  | 17.3 | 33.3 | 60.5  | F07     |
| 2-1/2" | 14 | 19  | M8  | 75.5 | 70  | 17.3 | 36.8 | 67.4  | F07     |
| 3"     | 16 | 24  | M10 | 96   | 102 | 24.5 | 44.5 | 89.9  | F10     |
| 4"     | 16 | 24  | M10 | 96   | 102 | 24.5 | 44.5 | 108.7 | F10     |
| 6"     | 20 | 30  | M10 | 92   | 102 | 24.5 | 48.2 | 140   | F10     |
| 8"     | 26 | 38  | M12 | 115  | 125 | 32.5 | 63   | 182   | F12     |

**507 (Class 300)**

| SIZE   | A  | B   | d   | E   | F   | G    | K    | H     | ISO5211 |
|--------|----|-----|-----|-----|-----|------|------|-------|---------|
| 1/2"   | 6  | 9.5 | M5  | 36  | 36  | -    | 15.9 | 24    | F03     |
| 3/4"   | 6  | 9.5 | M5  | 36  | 36  | -    | 15.9 | 29.3  | F03     |
| 1"     | 8  | 12  | M6  | 48  | 50  | 7.5  | 19.4 | 38.5  | F05     |
| 1-1/2" | 10 | 15  | M6  | 48  | 50  | 13.2 | 27.1 | 50.6  | F05     |
| 2"     | 14 | 19  | M8  | 68  | 70  | 17.3 | 33.3 | 60.5  | F07     |
| 3"     | 16 | 24  | M10 | 96  | 102 | 24.5 | 44.5 | 89.9  | F10     |
| 4"     | 16 | 24  | M10 | 96  | 102 | 24.5 | 44.5 | 108.7 | F10     |
| 6"     | 20 | 30  | M10 | 92  | 102 | 24.5 | 48.2 | 140   | F10     |
| 8"     | 26 | 38  | M12 | 115 | 125 | 32.5 | 63   | 182   | F12     |

Remark:

1. It is recommended that the appropriate seat material, providing a higher pressure & temperature, is selected, if you feel the standard material is borderline and you prefer a larger safety allowance.
2. For steam service, options available are PEEK, PTFE+50%SS, or Metal seat, depending on the service application.
3. Final selection of seat material is the user's choice, experience & responsibility.
4. Solid Lines-Continuous Temperature  
Dotted Lines-Intermittent / Peak Temperature

\* 我方有權隨時變更材質/設計/規格，以便提供品質優良的產品。

We reserve the right to modify the design / specification without previous notice for better quality.