



SERIES

高壓鍛造固定式球閥
High Pressure Forged Trunnion Ball Valve

產品介紹

Product Introduction

應用 APPLICATIONS

石油與天然氣管道、石油和天然氣運輸、天然氣配送、儲氣廠、石化、化學和加工廠。
Oil & Gas Pipelines, Transportation of Oil and Gas, Gas Distribution, Gas Storage Plant, Petrochemical, Chemical and Process Plants.

技術資料 TECHNICAL DATA

設計 / 尺寸 Design / Size	ASME B16.34, API 6D/ISO 14313 2" ~ 12"
壓力等級 Pressure Rating	ASME Class 600, 900, 1500
端口 End Connections	法蘭端 Flanged End
產品檢測 Testing	API 6D, API 598
流量 Bore	全流量 Full Bore
認證 Certificate	API 607 ISO 15848-1

特點 FEATURES

- 以具有競爭力的價格提供卓越的閥門設計。
 - 易燃和非易燃應用的逸散性洩漏控制。可應要求提供。
 - 閥門逸散性排放能力通過 ISO 15848-1 第三方認證。可應要求提供。
 - 可使用於執行器的 ISO 平台架。
 - 防火認證 API 607。
 - 較低的操作扭力，便於操作並降低執行器成本。
 - 防爆軸心。
 - 可符合 NACE MR0175。
 - 可使用附鎖裝置。
 - 防靜電裝置。
 - 體端及軸心皆具雙重密封功能。
 - 標準規格附有塞頭可用來區別是否有閥座洩漏，或者在需要時作為洩放流體的功能。
 - 標準規格及具有雙關&雙洩放功能和自行洩壓閥座。
 - 4" 以下標準規格提供閥腔密封劑填充系統，6" 以上閥座密封劑填充系統可應要求提供。
 - 根據 ISO 9001 認證的質量體系製造。
 - 多種球座材質可供選擇。
- 除了標準的球座材質，球座有以下材質可供選擇。每個球座選項將滿足廣泛的性能，適用於許多應用：
- RPTFE
 - Devlon V
 - PEEK
 - Nylon PA12
- * 請參考溫壓圖

- Superior valve design at a competitive price.
 - Fugitive emissions control for flammable and non-flammable applications. Available on request.
 - Valve fugitive emissions capability third-party certified to ISO 15848-1. Available on request.
 - Machined ISO actuator mounting pad.
 - Fire test certified to API 607.
 - Lower operating torque for ease of operation and reduced actuator cost.
 - Blowout-proof shaft.
 - NACE MR0175 is available.
 - Locking device is available.
 - Anti-Static Device.
 - Double Barrier Seals for body to end connections and stem sealing.
 - A drain plug is fitted as standard to verify valve seat leakage or to drain the valve if required.
 - Double block & bleed function and self-relieving seats is standard.
 - Cavity sealant system for 4" and below as standard, seat sealant system for 6" and above as optional available on request.
 - Manufactured under ISO 9001 certified quality system.
 - Various seat materials are available.
- In addition to standard seat material, following variety is available. Each material option will meet a wide range of performance, suitable for many applications.
- PTFE
 - Devlon V
 - PEEK
 - Nylon PA12
- * Please refer to the Pressure-Temperature rating.

MODEL 906 / 909 / 915

906剖面圖

附鎖裝置
Locking device

主要的
做為高完整性密封的雙重屏障
Primary dynamic
Viton-AED O-ring as
double barrier for high
integrity sealing

自潤軸承
Self-lubricating
bearings

實心鍛造球
Solid forged ball

球座加載彈簧
Seat loading spring

尺寸小於等於100mm為閥腔注脂裝置
尺寸大於等於150mm，每個球座配有注脂裝置
Sealant injection facility for ≤100mm. For ≥150mm,
each seat is fitted with a sealant injection facility

鍛造三片式閥體
Forged 3-piece body

石墨防火中口
Graphite fire-safe stem packing

防爆軸心
Anti blow-out stem

防火牆、金屬對金屬接觸和第二道密封
Lip for fire-safe, metal to
metal contact & secondary sealing

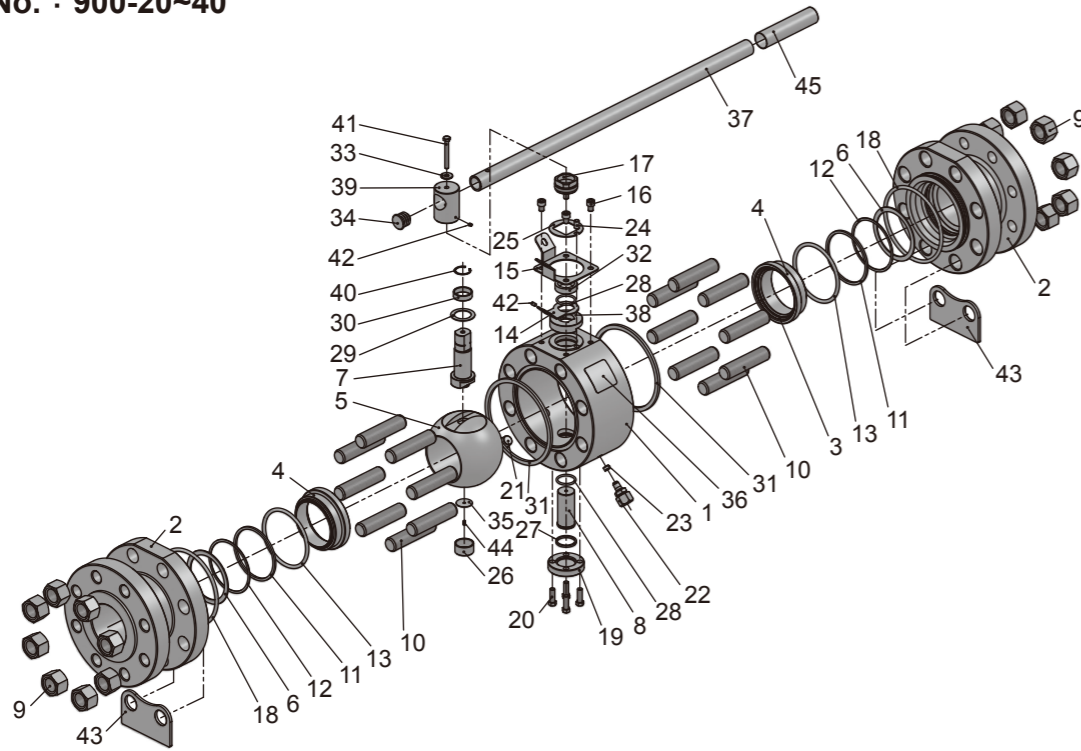
全流
Full port

軟密封球座
Soft seat insert

第二道石墨防火密封
Static secondary graphite fire safe seals

物料表 MATERIAL COMPOSITION

型號 Fig. No. : 900-20~40



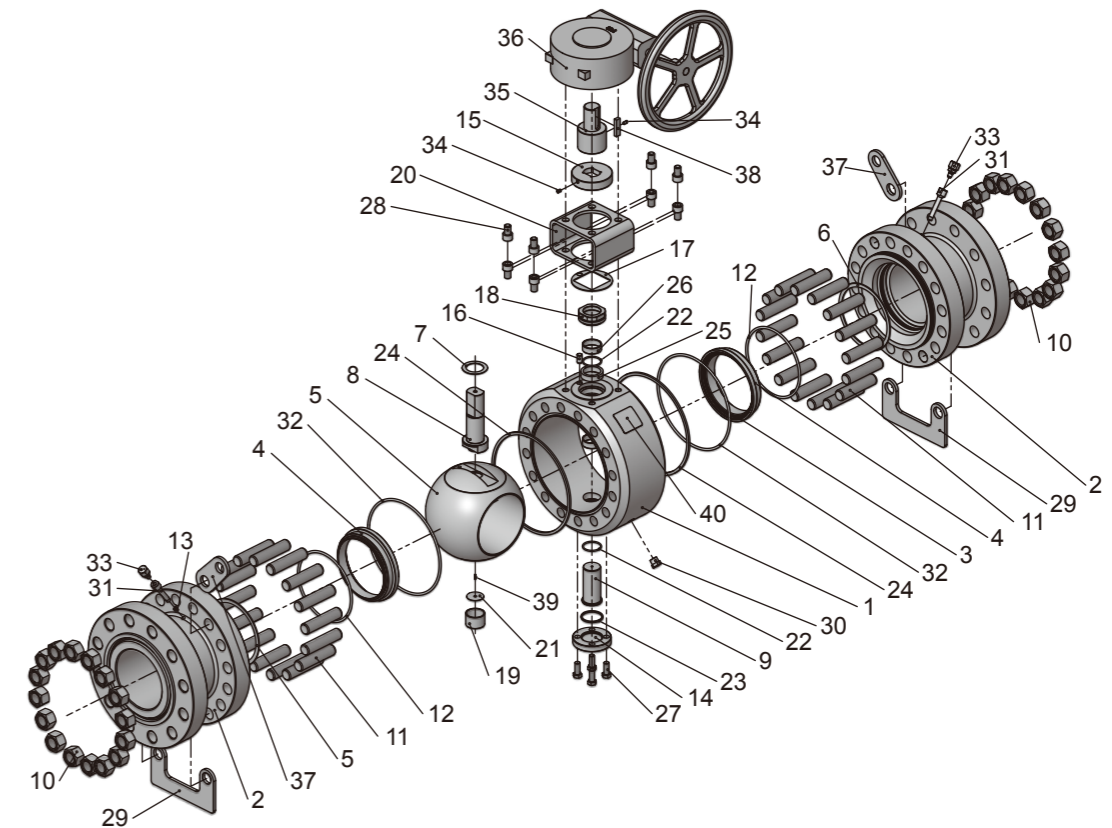
ITEM	PART NAME	MATERIALS	ITEM	PART NAME	MATERIALS
1	Body	A350-LF2	24	Stop Pin	SS 304
2	End Flange	A350LF2	25	Stop Plate A	SS 316
3	Seat Insert	PTFE+15%G.F	26	Stem Self-Lubricating Bearing	304+PTFE
4	Seat Ring	A182-F6A	27	Lower Stem Packing	GRAPHITE
5	Ball	A182-F316	28	Stem O-ring	VITON
6	Seat Spring	INCONEL X-750	29	Upper Stem Thrust Gasket	PTFE
7	Upper Stem	SS 410	30	Stem Self-Lubricating Bearing	304+PTFE
8	Lower Stem	SS 410	31	Body Graphite Gasket	GRAPHITE
9	Nut	A194-Gr7M+ZBC	32	Stem Packing	GRAPHITE
10	Stud Bolt	A350-L7M+ZBC	33	Flat Washer	SS 304
11	Seat Gasket	GRAPHITE	34	Cover	PLASTIC
12	Support Washer	SS 304	35	Lower Stem Thrust Washer	PTFE
13	Seat Ring O-ring	VITON	36	Name Plate	SS 304
14	Stop Plate A	SS 304	37	Lever Handle	STEEL
15	Stop Plate B	SS 304	38	Stop Plate B	A350-LF2
16	Screw	SS 304	39	Block	S45C
17	Packing Gland Adjuster	SS 304	40	Snap C-Ring	SS 420
18	Body Flange O-ring	VITON	41	Screw	C.S.
19	Bottom Cap	A350-LF2	42	Slotted Grub Screw	SS 304
20	Hexagonal Screw	SS 304	43	Base Plate	SS 302
21	Threaded Body Plug	A350-LF2	44	Anti-Static Spring	SS 302
22	Vented Cap Body Grease Fitting	A350-LF2	45	Casing	PLASTIC
23	Safety Valve	S.STEEL			

* 我方有權隨時變更材質/設計/規格，以便提供品質優良的產品。

We reserve the right to modify the design / specification without previous notice for better quality.

物料表 MATERIAL COMPOSITION

型號 Fig. No. : 900-60~80



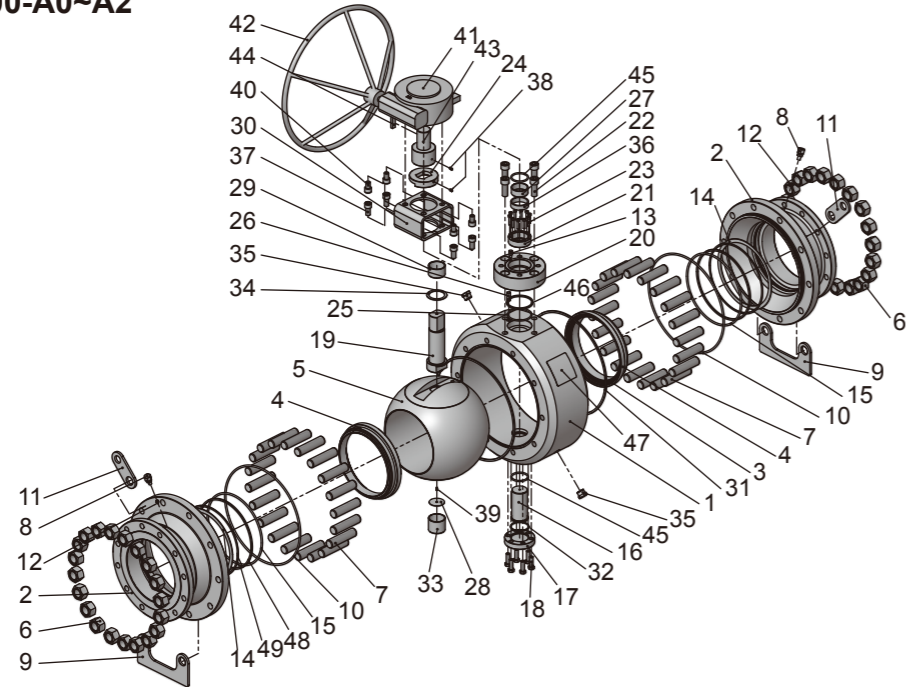
ITEM	PART NAME	MATERIALS	ITEM	PART NAME	MATERIALS
1	Body	A350-LF2	21	Lower Stem Thrust Gasket	PTFE
2	End Flange	A350-LF2	22	Stem O-ring	VITON
3	Seat Insert	DEVLON V	23	Lower Stem Packing Gasket	GRAPHITE
4	Seat Ring	A182-F6A	24	Body Graphite Gasket	GRAPHITE
5	Ball	A182-F316	25	Stem Packing	GRAPHITE
6	Seat Spring	INCONEL X-750	26	Stem Self-Lubricating Bearing	304+PTFE
7	Upper Stem Thrust Washer	PTFE	27	Hexagonal Screw	SS 304
8	Upper Stem	SS 410	28	Socket Head Cap Screw	SS 304
9	Lower Stem	SS 410	29	Base Plate	S45C
10	Nut	A194-Gr7M+ZBC	30	Threaded Body Plug	A350-LF2
11	Stud Bolt	A350-L7M+ZBC	31	Sealant Fitting Extension	S.STEEL
12	Seat Ring O-ring	VITON	32	Body Flange O-ring	VITON
13	Safety Valve	S.STEEL	33	Vented Cap Body Grease Fitting	A350-LF2
14	Bottom Cap	A350-LF2	34	Slotted Grub Screw	SS 316
15	Stop Plate	A350-LF2	35	Drive Adapter	S45C
16	Stop Pin	SS 304	36	Gear Operator	FC
17	Stop Plate	A350-LF2	37	Lifting Plug	S45C
18	Packing Gland	SS 304	38	Key	S45C
19	Self-Lubricating Stem Bearing	304+PTFE	39	Anti-Static Spring	SS 302
20	Mounting Bracket	STEEL	40	Name Plate	SS 304

* 我方有權隨時變更材質/設計/規格，以便提供品質優良的產品。

We reserve the right to modify the design / specification without previous notice for better quality.

物料表 MATERIAL COMPOSITION

型號 Fig. No. : 900-A0~A2

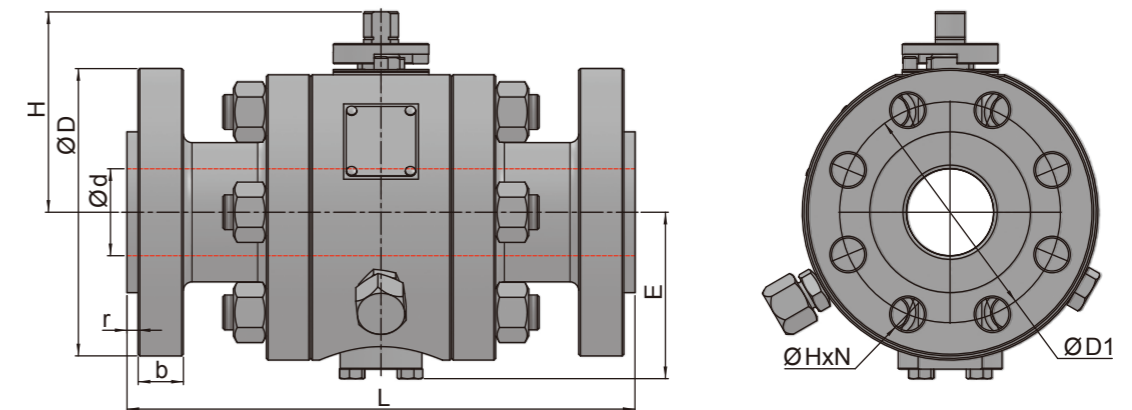


ITEM	PART NAME	MATERIALS	ITEM	PART NAME	MATERIALS
1	Body	A350-LF2	26	Packing Gland Lock Pin	SS 410
2	End Flange	A350-LF2	27	Stem Self-Lubricating Bearing	304+PTFE
3	Seat Insert	DEVLON V	28	Lower Stem Thrust Gasket	PTFE
4	Seat Ring	A182-F6A	29	Stem Self-Lubricating Bearing	304+PTFE
5	Ball	A182-F316	30	Mounting Bracket	STEEL
6	Nut	A194Gr-7M+ZBC	31	Body Graphite Gasket	GRAPHITE
7	Stud Bolt	A350-L7M+ZBC	32	Lower Stem Packing Gasket	GRAPHITE
8	Vented Cap Body Grease Fitting	A350-LF2	33	Stem Self-Lubricating Bearing	304+PTFE
9	Base Plate	S45C	34	Upper Stem Thrust Gasket	304+PTFE
10	Body Flange O-Ring	VITON	35	Threaded Body Plug	A350-LF2
11	Lifting Plug	STEEL	36	Stem Packing	GRAPHITE
12	Safety Valve	SS 304	37	Socket Head Cap Screws	SS 304
13	Stop Pin	SS 304	38	Slotted Grub Screw	SS 304
14	Seat Spring	INCONEL X-750	39	Anti-Static Spring	SS 302
15	Seat Ring O-ring	VITON	40	Socket Head Cap Screws	SS 304
16	Lower Stem	SS 410	41	Gear Operator	FC
17	Bottom Cap	A350-LF2	42	Hand Wheel	S.STEEL
18	Hexagonal Screw	SS 304	43	Drive Adapter	S45C
19	Upper Stem	SS 410	44	Key	S45C
20	Packing Gland Flange	A350-LF2	45	Stem O-ring	VITON
21	Collar Bush	A350-LF2	46	Packing Gland Gasket	GRAPHITE
22	Socket Head Cap Screws	SS 304	47	Name Plate	SS 304
23	Socket Head Cap Screws	SS 304	48	Gasket Seat	GRAPHITE
24	Stop Plate	SS 316	49	Support Washer	SS 304
25	Stem O-ring	VITON			

* 我方有權隨時變更材質/設計/規格，以便提供品質優良的產品。

We reserve the right to modify the design / specification without previous notice for better quality.

尺寸圖 DIMENSION LIST



906 (Class 600 / ISO PN100)

DN	d	L	D1	D	H	E	ØH-N	b	r	
Inch	mm	mm	Face to Face (mm) RF	mm	mm	mm	mm	mm	mm	
2	50	50	292	127	165	115	95.5	19x8	25.4	6.4
3	80	76	356	168.1	210	151	126.3	22x8	31.8	6.4
4	100	100	432	215.9	273	192.5	157	25x8	38.1	6.4
6	150	150	559	292.1	356	265	198.8	28x12	47.8	6.4
8	200	201.4	660	349.2	419	334.5	261	32x12	55.6	6.4
10	250	252.4	787	431.8	508	378.5	307	35x16	63.5	6.4
12	300	303.4	838	489	559	444.2	361	35x20	66.5	6.4

909 (Class 900 / ISO PN150)

DN	d	L	L	D1	D	H	E	ØH-N	b	r	
Inch	mm	mm	Face to Face (mm) RF	Face to Face (mm) RTJ	mm	mm	mm	mm	mm	mm	
2	50	50	368	371	165.1	216	115	95.5	25x8	38.1	6.4
3	80	76	381	384	190.5	241	151	126.3	25x8	38.1	6.4
4	100	100	457	460	235	292	192.5	157	32x8	44.5	6.4
6	150	150	610	613	317.5	381	265	198.8	32x12	55.6	6.4
8	200	201.4	737	740	393.7	470	334.5	261	32x12	63.5	6.4
10	250	252.4	838	841	469.9	546	403.2	335	38x16	69.8	6.4
12	300	303.4	965	968	533.4	610	476	411	38x20	79.2	6.4

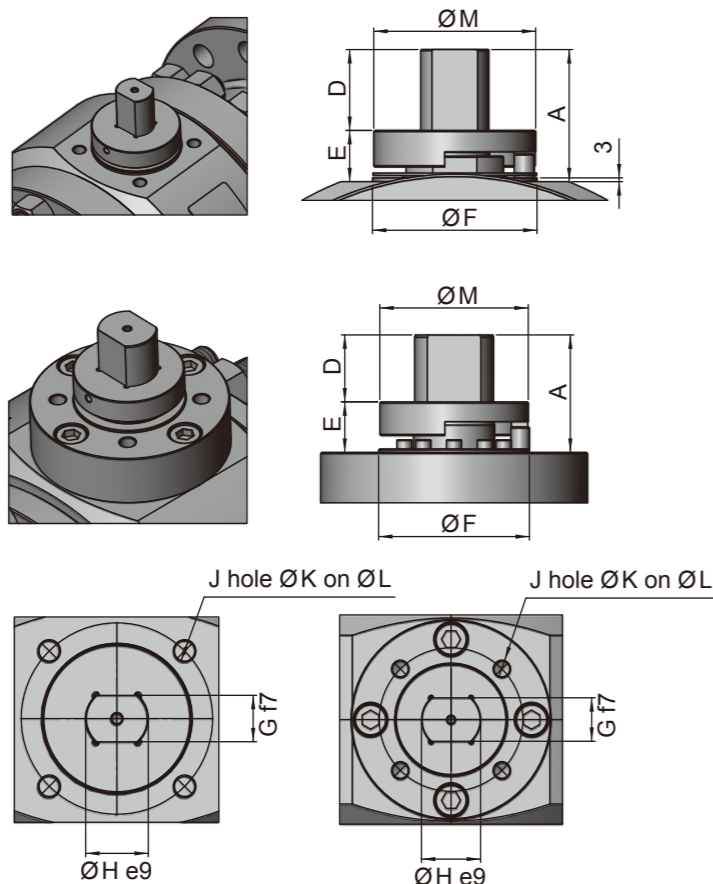
915 (Class 1500 / ISO PN250)

DN	d	L	L	D1	D	H	E	ØH-N	b	r	
Inch	mm	mm	Face to Face (mm) RF	Face to Face (mm) RTJ	mm	mm	mm	mm	mm	mm	
2	50	50	368	371	165.1	216	129.2	107	25x8	38.1	6.4
3	80	76	470	473	190.5	267	182.5	152	32x8	47.8	6.4
4	100	100	546	549	241.3	311	225	185	35x8	53.8	6.4
6	150	150	705	711	317.5	394	304	235	38x12	82.6	6.4
8	200	201.4	832	838	393.7	483	379.2	328	44x12	91.9	6.4
10	250	252.4	991	1000	482.6	584	435	390	51x12	108	6.4
12	300	303.4	1130	1146	571.5	673	494	460	54x16	124	6.4

* 我方有權隨時變更材質/設計/規格，以便提供品質優良的產品。

We reserve the right to modify the design / specification without previous notice for better quality.

平台架尺寸 DIMENSIONS OF ISO MOUNTING PAD



EA906 (Class 600)

FB	RB	A	D	E	F	G	H	J	K	L	M	ISO5211
2"x2"	3"x3"	36.2	18.3	17.9	55.0	17.0	20.0	4	M8	70	55	F07
3"x3"	4"x3"	48.8	26.0	22.8	55.0	19.0	23.9	4	M8	70	55	F07
4"x4"	6"x4"	54.3	27.0	27.3	70.0	27.0	32.9	4	M10	102	68	F10
6"x6"	8"x6"	73.4	38.0	35.4	100.0	36.0	43.9	4	M16	140	98	F14
8"x8"	10"x8"	97.0	55.6	41.4	130.0	40.0	53.9	4	M20	165	128	F16
10"x10"	12"x10"	102.2	64.1	38.1	130.0	40.0	53.9	4	M20	165	128	F16
12"x12"	14"x12"	101.5	57.7	43.8	130.0	50.0	68.0	4	M20	165	128	F16

EA909 (Class 900)

FB	RB	A	D	E	F	G	H	J	K	L	M	ISO5211
2"x2"	3"x2"	36.2	18.3	17.9	55.0	17.0	20.0	4	M8	70	55	F07
3"x3"	4"x3"	48.8	26.0	22.8	55.0	19.0	23.9	4	M8	70	55	F07
4"x4"	6"x4"	54.3	27.0	27.3	70.0	27.0	32.9	4	M10	102	68	F10
6"x6"	8"x6"	73.4	38.0	35.4	100.0	36.0	43.9	4	M16	140	98	F14
8"x8"	10"x8"	105.3	63.9	41.4	130.0	40.0	53.9	4	M20	165	128	F16
10"x10"	12"x10"	103.7	61.7	42.0	130.0	50.0	68.0	4	M20	165	128	F16
12"x12"	14"x12"	105.8	66.0	39.8	200.0	60.0	83.9	8	M16	254	198	F25

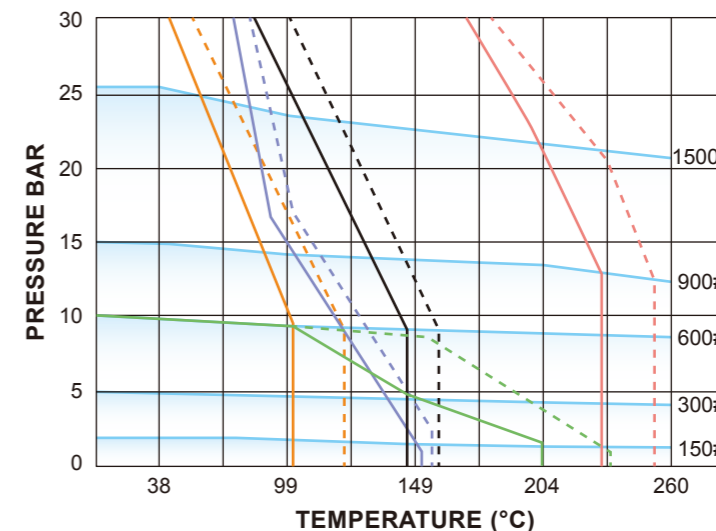
EA915 (Class 1500)

FB	RB	A	D	E	F	G	H	J	K	L	M	ISO5211
2"x2"	3"x2"	44.2	22.7	21.5	55.0	19.0	23.9	4	M8	70	55	F07
3"x3"	4"x3"	55.4	28.4	27.0	70.0	27.0	32.9	4	M10	102	68	F10
4"x4"	6"x4"	74.0	38.0	36.0	100.0	36.0	43.9	4	M16	140	98	F14
6"x6"	8"x6"	99.9	59.5	40.4	130.0	40.0	53.9	4	M20	165	128	F16
8"x8"	10"x8"	101.8	58.7	43.1	130.0	50.0	68.0	4	M20	165	128	F16
10"x10"	12"x10"	105.8	66.0	39.8	200.0	60.0	83.9	8	M16	254	198	F25

* 我方有權隨時變更材質/設計/規格，以便提供品質優良的產品。

We reserve the right to modify the design / specification without previous notice for better quality.

溫度壓力曲線圖 P/T Chart



- NMLON PA 12
- PRIFE
- PCTFE
- DEVLCN V
- PEEK

Solid Lines - Continuous Temperature
Dotted Lines - Intermittent / Peak Temperatures