

**應用 APPLICATIONS**

礦業與礦物加工業、水與汙水處理、化工廠、石油與天然氣工業、高壓流體、蒸氣及高溫流體、壓縮天然氣與液化天然氣、一般流體。  
Mining & Mineral Processing, Water & Waste Water, Chemical Plant, Oil & Gas, High Pressure Fluid, Steam & High Temperature Fluid, CNG & LNG, General Fluid.

**技術資料 TECHNICAL DATA**

設計 / 尺寸 Design / Size	ASME B16.34, EN12516-1 1/2" ~ 8" (DN15 ~ DN200)
壓力等級 Pressure Rating	ASME Class 150, PN40 (DN15-DN100) PN16 (DN65-DN200)
端口 End Connections	法蘭端 Flanged End
產品檢測 Testing	API 598, EN12266-1
流量 Bore	全流量 Full Bore
認證 Certificate	<b>API 607</b> <b>ATEX</b> <b>TA-Luft</b> <b>PED 2014/68/EU</b> 認證適用於 CE 市場的產品 <b>PED 2014/68/EU</b> approval for CE market product.

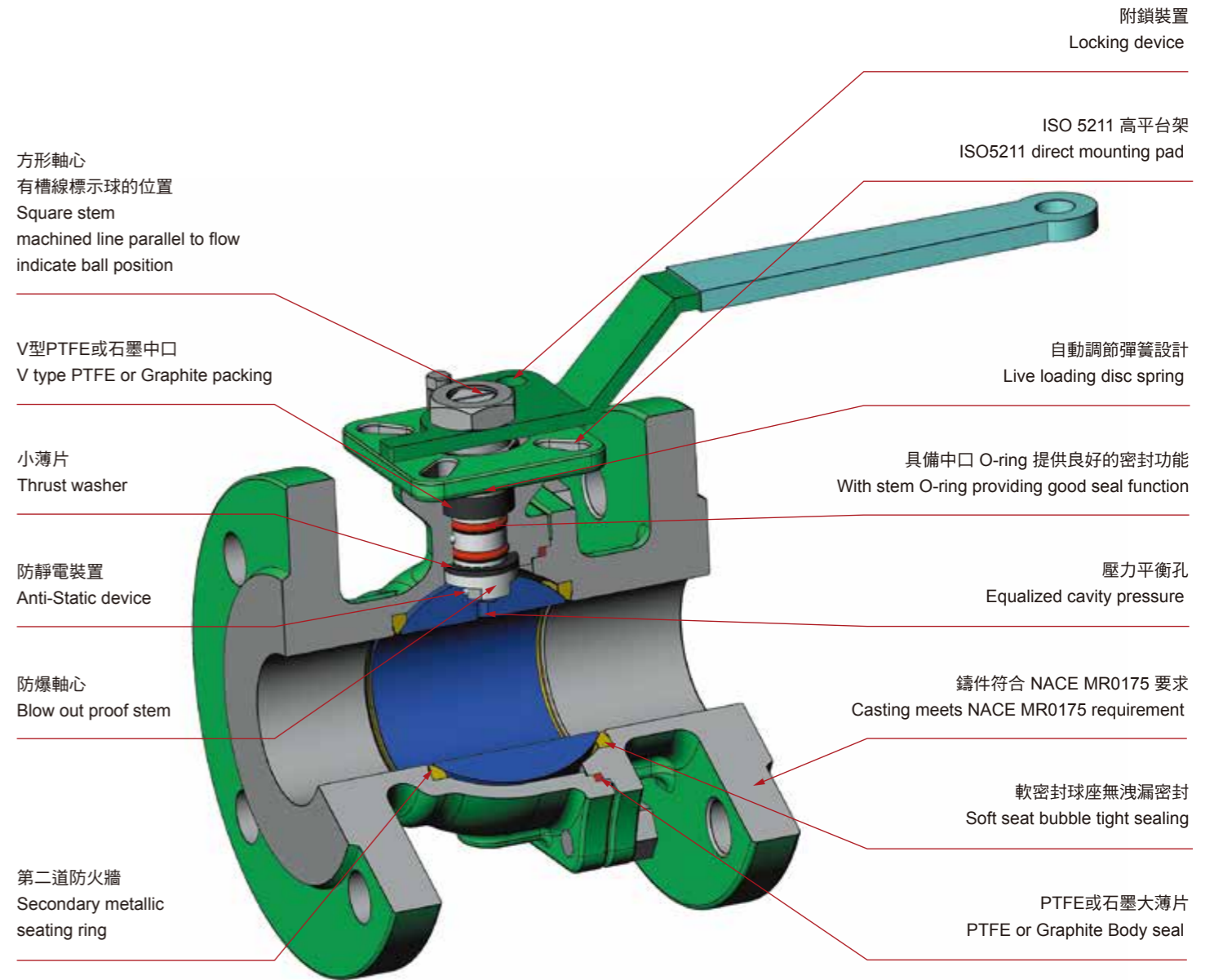
**特點 FEATURES**

- 以具有競爭力的價格提供卓越的閥門設計。
  - 可直接安裝執行器的 ISO 平台架，不需支架連接桿，節省成本、空間及時間。
  - 延長軸心可應要求提供。
  - RPTFE密封消除了對產品污染的擔憂。
  - 防火認證 API 607，可應要求提供。
  - 較低的操作扭力，便於操作並降低執行器成本。
  - 明確的開關位置指示。
  - 防爆軸心。
  - NACE MR0175 可應要求提供。
  - 可使用附鎖裝置。
  - 防靜電裝置。
  - 根據 ISO 9001 認證的質量體系製造。
  - 標準 CE 標示符合 PED 2014/68/EU，可應要求提供。
  - 多種球座材質可供選擇。
- 除了標準的球座材質，球座有以下材質可供選擇。每個球座選項將滿足廣泛的性能，適用於許多應用：
- PTFE + 15% Glass Fiber
  - PTFE + 25% Carbon Fiber
  - Modified PTFE
  - Modified PTFE + 25% Carbon Fiber
  - PTFE + 50% SS
  - PEEK
  - UHMWPE
- \* 請參考溫壓圖

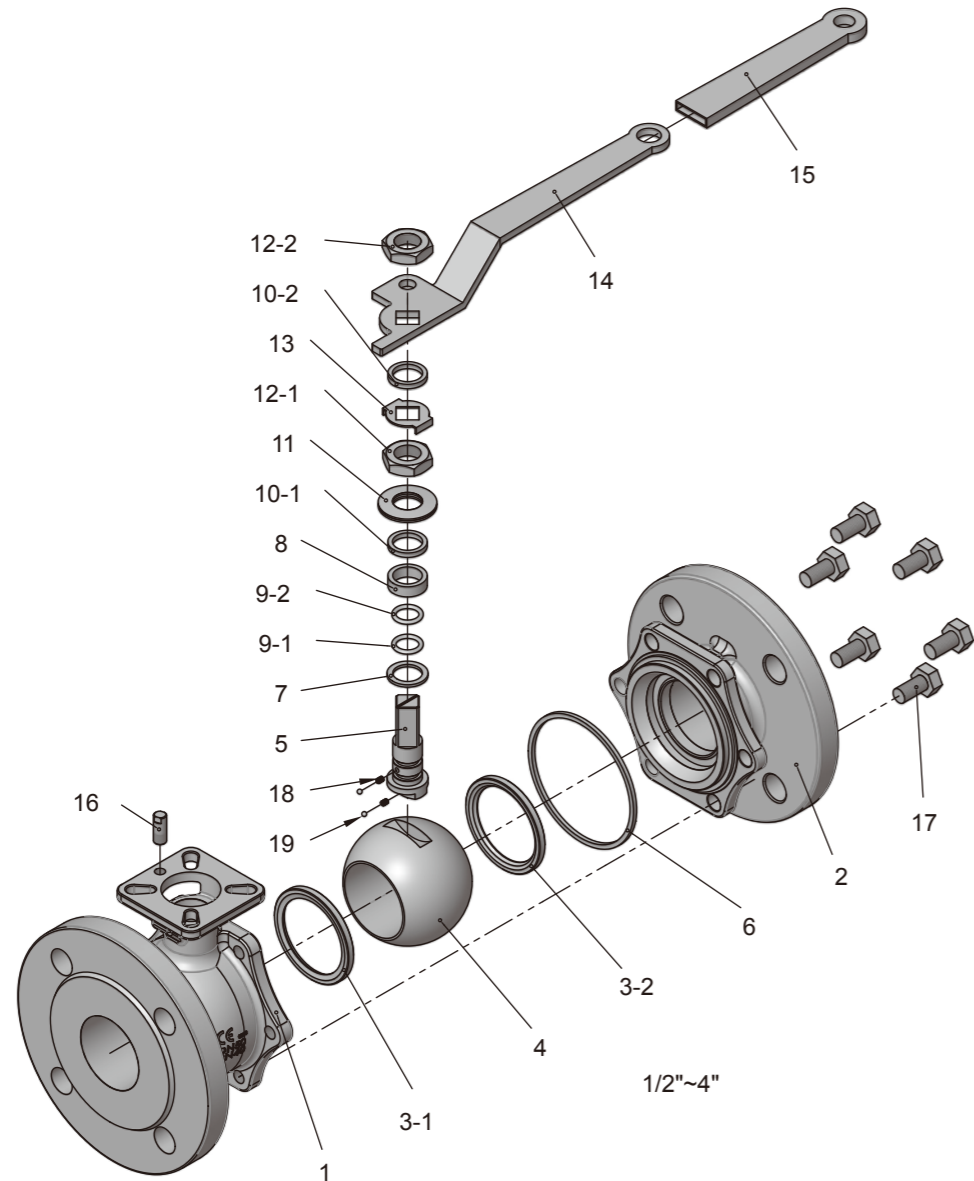
- Superior valve design at a competitive price.
  - Machined ISO actuator mounting pad for directly mount actuator, bracket and adaptor is unnecessary, save cost, space and time.
  - Extension Bonnet is available on request.
  - RPTFE seal relieves concern over product contamination.
  - Fire test certified to API 607. Available on request.
  - Lower operating torque for ease of operation and reduced actuator cost.
  - Positive position indication.
  - Blowout-proof shaft.
  - NACE MR0175 available on request.
  - Locking device is available.
  - Anti-Static device.
  - Manufactured under ISO 9001 certified quality system.
  - CE marking according to PED 2014/68/EU standard. Available on request.
  - Various seat material are available.
- In addition to standard seat material, following variety is available. Each material option will meet a wide range of performance, suitable for many applications.
- PTFE + 15% Glass Fiber
  - PTFE + 25% Carbon Fiber
  - Modified PTFE
  - Modified PTFE + 25% Carbon Fiber
  - PTFE + 50% SS
  - PEEK
  - UHMWPE
- \* Please refer to the Pressure-Temperature rating.

MODEL **403 / 405**

**403剖面圖**



物料表 MATERIAL COMPOSITION



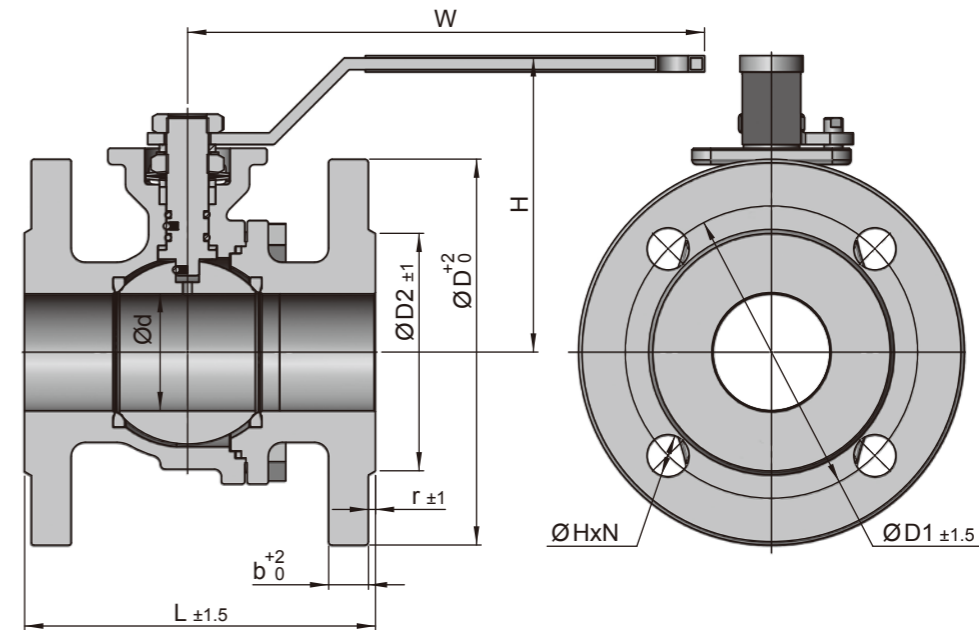
ITEM	PART NAME	STAINLESS STEEL	CARBON STEEL	ITEM	PART NAME	STAINLESS STEEL	CARBON STEEL
1	Body	1.4408	1.0619	12	Gland Bolt	A193-B8M	A193-B7
2	End Cap	1.4408	1.0619	13	Travel Stop	SS 304	SS 304
3	Seats	PTFE+15%G.F.	PTFE+15%G.F.	14	Snap Ring	SS 301	SS 301
4	Ball	1.4408	1.4301	15	T-Block	DUCTILE IRON	DUCTILE IRON
5	Stem	1.4408	1.4301	16	Bolt	SS 304	SS 304
6	Body Seal	PTFE	PTFE	17	Bolt	SS 304	SS 304
7	Gasket	PTFE	PTFE	18	Pipe	STEEL+Zn Plated	STEEL+Zn Plated
8	Packing	PTFE	PTFE	19	Studs	A193-B7M	A193-B7
9	Stem Bearing	PTFE	PTFE	20	Nuts	A194-8M	A194-8
10	Gland Bush	PTFE	PTFE	21	Spring	SS 316	SS 316
11	Gland Flange	A351-CF8M	A351-CF8	22	Static Device	SS 316	SS 316

\* 我方有權隨時變更材質/設計/規格，以便提供品質優良的產品。

We reserve the right to modify the design / specification without previous notice for better quality.

MODEL **403 / 405**

尺寸圖 DIMENSION LIST



**403 (PN40)**

SIZE	d	D2	D1	D	b	r	L	ØH-N	W	H	ISO5211
1/2"	16	45	65	98	14	2	115	14x4	114	89	F03/F04
3/4"	20	58	75	105	16	2	120	14x4	114	89	F03/F04
1"	25	68	85	115	16	2	125	14x4	187	101	F04/F05
1-1/4"	32	78	100	140	16	2	130	18x4	187	112	F04/F05
1-1/2"	40	88	110	150	15	3	140	18x4	222	116	F05/F07
2"	50	102	125	165	17	3	150	18x4	222	125	F05/F07
2-1/2"	65	122	145	185	19	3	170	18x8	350	154	F07/F10
3"	80	138	160	200	21	3	180	18x8	350	165	F07/F10
4"	100	162	190	235	21	3	190	22x8	350	180	F10/F12

**403 (PN16)**

SIZE	d	D2	D1	D	b	r	L	ØH-N	W	H	ISO5211
2-1/2"	65	122	145	185	15	3	170	18x4	350	154	F07/F10
3"	80	138	160	200	17	3	180	18x8	350	165	F07/F10
4"	100	158	180	220	17	3	190	18x8	350	180	F07/F10
5"	125	188	210	250	19	3	325	18x8	400	205	F10
6"	150	212	240	285	19	3	350	22x8	800	269	F12
8"	200	268	295	340	21	3	400	22x12	1100	336	F14

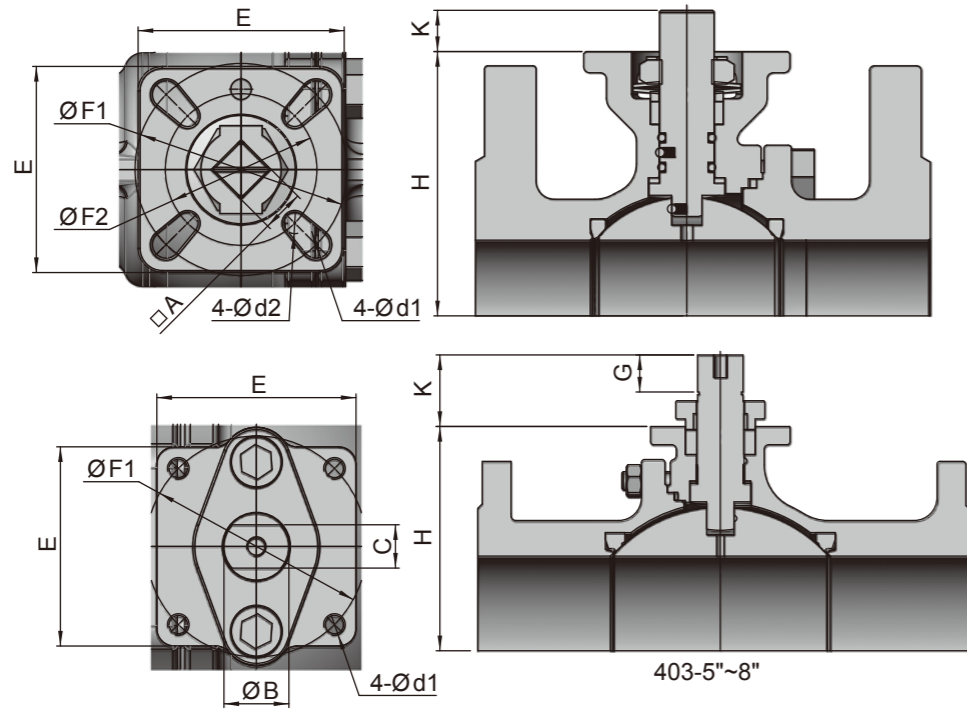
**405 (Class 150)**

SIZE	d	D2	D1	D	b	r	L	ØH-N	W	H	ISO5211
1/2"	16	35	60.5	89	9.5	1.6	108	16x4	114	89	F03/F04
3/4"	20	43	70	99	9.5	1.6	117	16x4	114	89	F03/F04
1"	25	51	79.5	108	9.7	1.6	127	16x4	187	101	F04/F05
1-1/4"	32	64	89	117	11.1	1.6	140	16x4	187	112	F04/F05
1-1/2"	38	73	98.5	127	12.7	1.6	165	16x4	222	116	F05/F07
2"	50	92	120.5	152	14.2	1.6	178	19x4	222	125	F05/F07
2-1/2"	65	105	139.5	178	15.7	1.6	190	19x4	350	154	F07/F10
3"	80	127	152.5	190	17.5	1.6	203	19x4	350	165	F07/F10
4"	100	157	190.5	229	22.4	1.6	229	19x8	350	180	F07/F10

\* 我方有權隨時變更材質/設計/規格，以便提供品質優良的產品。

We reserve the right to modify the design / specification without previous notice for better quality.

平台架尺寸 DIMENSIONS OF ISO MOUNTING PAD



**403 (PN40)**

SIZE	A	d1	d2	E	F1	F2	K	H	ISO5211
1/2"	9	6	6	42	42	36	8	54	F03/F04
3/4"	9	6	6	42	42	36	8	56	F03/F04
1"	11	7	6	48	50	42	12	62.5	F04/F05
1-1/4"	11	7	6	48	50	42	12	72	F04/F05
1-1/2"	14	9	7	68	70	50	14.8	78	F05/F07
2"	14	9	7	68	70	50	14.8	87.2	F05/F07
2-1/2"	17	11	9	94	102	70	17.1	107	F07/F10
3"	17	11	9	94	102	70	17.1	117.3	F07/F10
4"	22	13	11	94	125	102	22	132.3	F10/F12

**403 (PN16)**

SIZE	A	B	C	d1	d2	E	F1	F2	K	H	G	ISO5211
2-1/2"	17	-	-	11	9	94	102	70	17.1	107	-	F07/F10
3"	17	-	-	11	9	94	102	70	17.1	117.3	-	F07/F10
4"	17	-	-	11	9	94	102	70	17.1	132.3	-	F07/F10
5"	-	30	20	M10	-	92	102	-	47.2	148	24.5	F10
6"	-	38	26	M12	-	115	125	-	63	182	32.6	F12
8"	-	48	32	M16	-	137.5	140	-	76	233.5	38.1	F14

**405 (Class 150)**

SIZE	A	d1	d2	E	F1	F2	K	H	ISO5211
1/2"	9	6	6	42	42	36	8	54	F03/F04
3/4"	9	6	6	42	42	36	8	56	F03/F04
1"	11	7	6	48	50	42	12	62.5	F04/F05
1-1/4"	11	7	6	48	50	42	12	72	F04/F05
1-1/2"	14	9	7	68	70	50	14.8	78	F05/F07
2"	14	9	7	68	70	50	14.8	87.2	F05/F07
2-1/2"	17	11	9	94	102	70	17.1	107	F07/F10
3"	17	11	9	94	102	70	17.1	117.3	F07/F10
4"	17	11	9	94	102	70	17.1	132.3	F07/F10

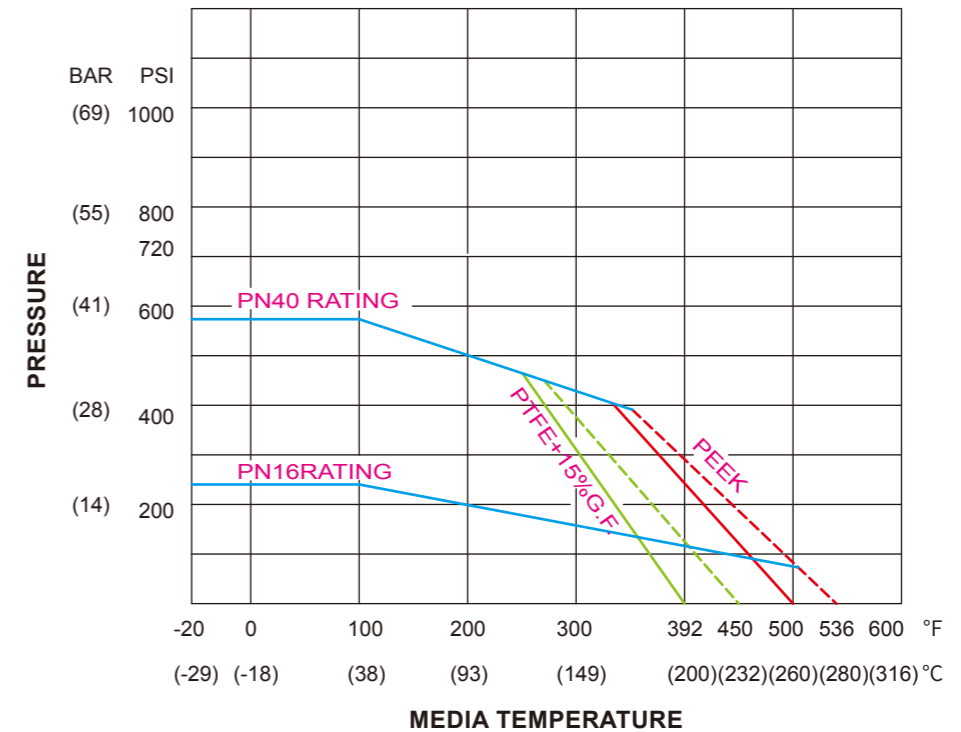
\* 我方有權隨時變更材質/設計/規格，以便提供品質優良的產品。

We reserve the right to modify the design / specification without previous notice for better quality.

溫度壓力曲線圖 P/T CHART

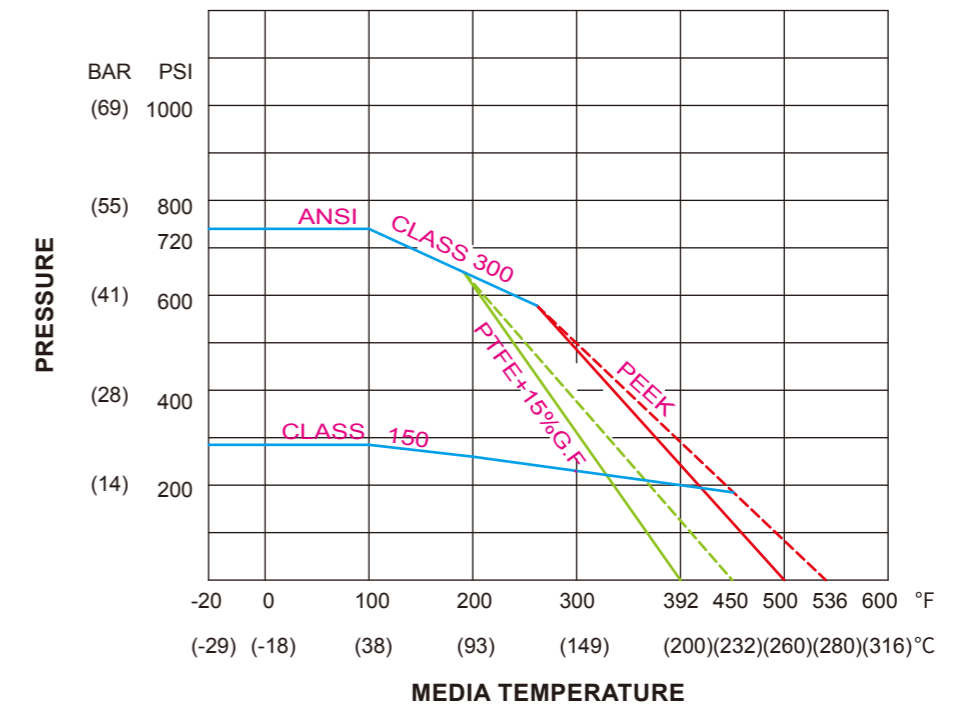
型號 Fig. No. : 403

PRESSURE & TEMPERATURE RATING



型號 Fig. No. : 405

PRESSURE & TEMPERATURE RATING



Remark:

1. It is recommended that the appropriate seat material, providing a higher pressure & temperature, is selected, if you feel the standard material is borderline and you prefer a larger safety allowance.
2. For steam service, options available are PEEK, PTFE+50%SS, or Metal seat, depending on the service application.
3. Final selection of seat material is the user's choice, experience & responsibility.
4. Solid Lines-Continuous Temperature  
Dotted Lines-Intermittent / Peak Temperature