



應用 APPLICATIONS

紙漿和造紙、石油和天然氣、蒸氣、有毒的、防火和易燃物。
Pulp and Paper, Oil and Gas, Steam, Toxic, Fire-safe and Flammables.

選項 OPTION

- 特殊噴漆
- 特殊測試，可應要求提供
- 放射線檢測
- 染色探傷
- 材料可靠性鑑別
- Special painting
- Special tests on request
- X-ray (RT)
- Liquid penetrant (PT)
- Positive Material Identification (PMI)

技術資料 TECHNICAL DATA

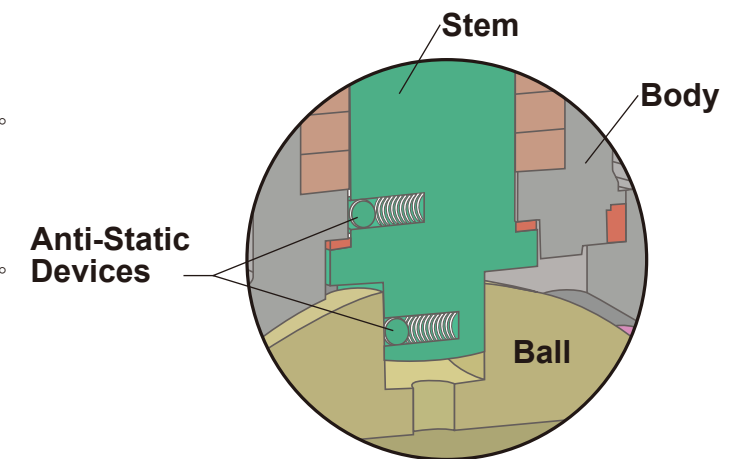
| | |
|-------------------------|--|
| 型號 / 尺寸 Model / Size | Full bore 251, 253, 256 1/2" ~ 8" (150/300#) 1/2" ~ 4" (600#) |
| 壓力等級 Pressure Rating | ASME Class 150, 300, 600 |
| 溫度範圍 Temperature | -29°C ~ 230°C |
| 洩漏等級 Seat Leakage | Zero leakage to API 598 |
| 認證 Certificate | API 607 ISO 15848-1 API 641 |

特點 FEATURES

- 以具有競爭力的價格提供卓越的閥門設計。
- 易燃和非易燃應用的逸散性排放控制。
- 閥門逸散性排放能力通過 ISO 15848-1 第三方認證。
- 可使用於執行器的 ISO 平台架。
- RPTFE密封消除了對產品污染的擔憂。
- 防火認證 API 607 6th 以及 ISO 10497。
- 較低的操作扭力，便於操作並降低執行器成本。
- 明確的開關位置指示。
- 防爆軸心。
- NACE MR0175 可應要求提供。
- 可使用附鎖裝置。
- 防靜電裝置。
- 根據 ISO 9001 認證的質量體系製造。
- 具備 O-ring 密封。
- 標準 CE 標示符合 PED 2014/68/EU，可應要求提供。
- 多種球座材質可供選擇。
- 除了標準的球座，球座有以下材質可供選擇。
- 每個球座選項將滿足廣泛的性能，適用於許多應用：
 - PTFE + 15% Glass Fiber
 - PTFE + 25% Carbon Fiber
 - Modified PTFE
 - Modified PTFE + 25% Carbon Fiber
 - PTFE + 50% SS
 - PEEK
 - UHMWPE
- * 請參考溫壓圖
- Superior valve design at a competitive price.
- Fugitive emissions control for flammable and non-flammable applications.
- Valve fugitive emissions capability third-party certified to ISO 15848-1.
- Machined ISO actuator mounting pad.
- RPTFE seal relieves concern over product contamination.
- Fire test certified to API 607 6th edition and ISO 10497.
- Lower operating torque for ease of operation and reduced actuator cost.
- Positive position indication.
- Blowout-proof shaft.
- NACE MR0175 available on request.
- Locking device is available.
- Anti-Static Device.
- Manufactured under ISO 9001 certified quality system.
- Primary O-ring Seal.
- CE marking PED 2014/68/EU as standard. Available on request.
- Various seat materials are available.
- In addition to standard seat material, following variety is available.
- Each material option will meet a wide range of performance, suitable for many applications.
- PTFE + 15% Glass Fiber
- PTFE + 25% Carbon Fiber
- Modified PTFE
- Modified PTFE + 25% Carbon Fiber
- PTFE + 50% SS
- PEEK
- UHMWPE
- * Please refer to the Pressure-Temperature rating.

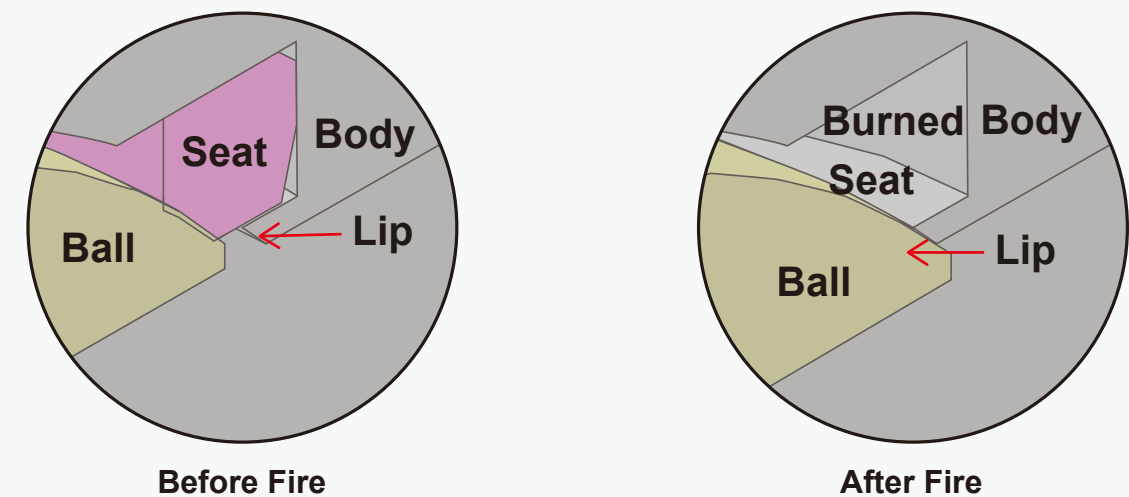
MODEL 251 / 253 / 256

- 抗靜電裝置
使球跟軸心與閥體連結，防止靜電累積。
- 防爆軸心
內穿式軸心可防止在壓力下爆裂，也可用作軸心密封的後襯座。
- 附鎖裝置*
將閥門鎖定在開跟關的位置以防止閥門意外操作。
- 雙D軸心設計
確保把手只能被安裝在與流動方向一致的正向開啟、關閉指示。
- 可裝氣缸的 ISO 5211 平台架
整體式平台架適用於氣缸跟電動頭。

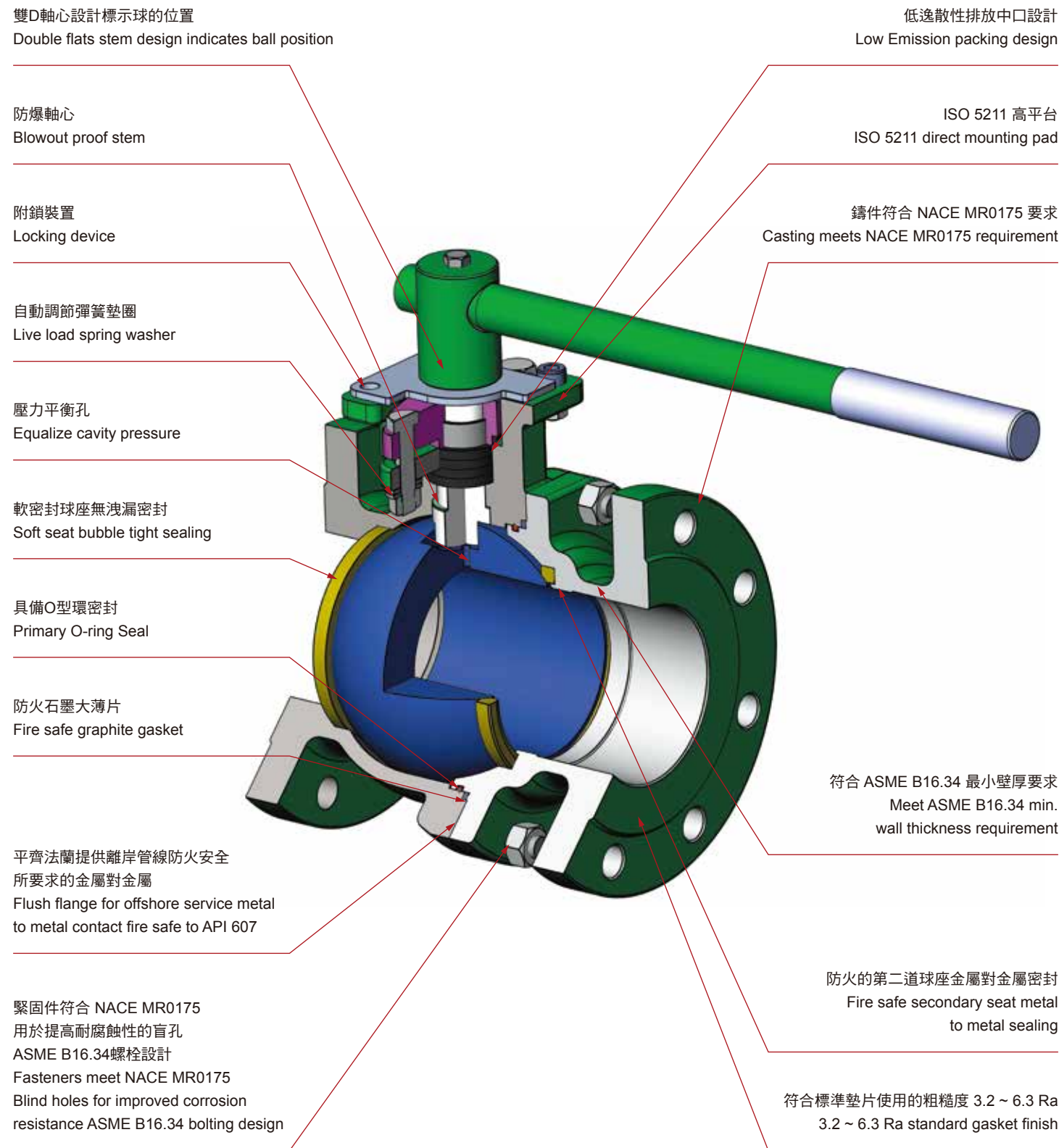


- **Anti-Static Plunger**
Positive connection of ball and stem to valve body, preventing static electricity build-up.
- **Blowout-Proof Stem**
Internally fitted back-seated stem prevents blowouts under pressure and also functions as the backseat for stem sealing.
- **Locking Device***
Locks valve in open and closed positions to prevent accidental valve operation.
- **Double D Stem Design**
Ensures lever can only be fitted in line with flow direction for positive open/closed indication.
- **ISO 5211 Actuator Mount ISO 5211**
Integral actuator mounting pad is standard for all modern pneumatic and electric actuators.

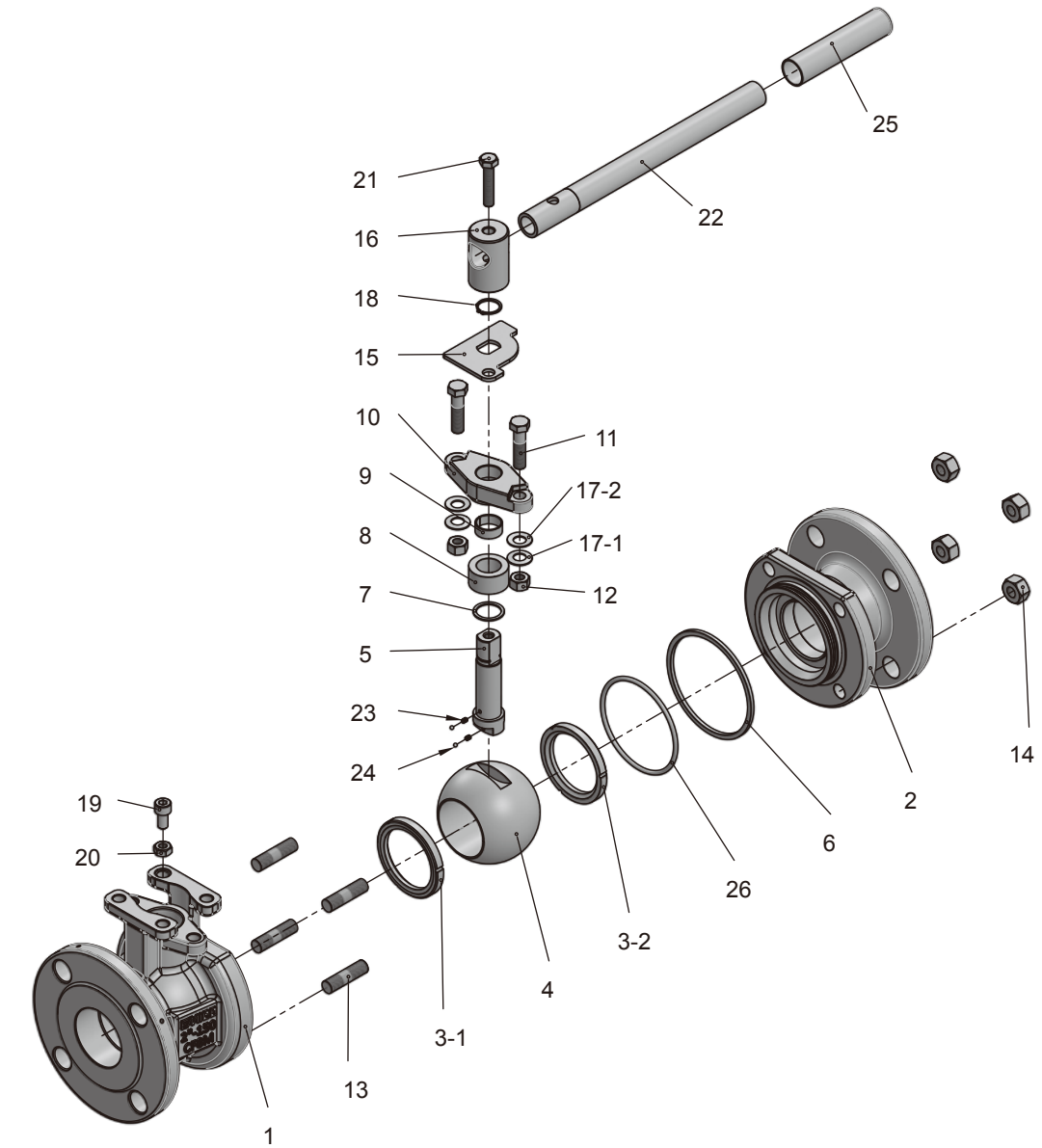
球座防火說明 FIRE SAFE STATEMENT FOR SEAT



251剖面圖



物料表 MATERIAL COMPOSITION

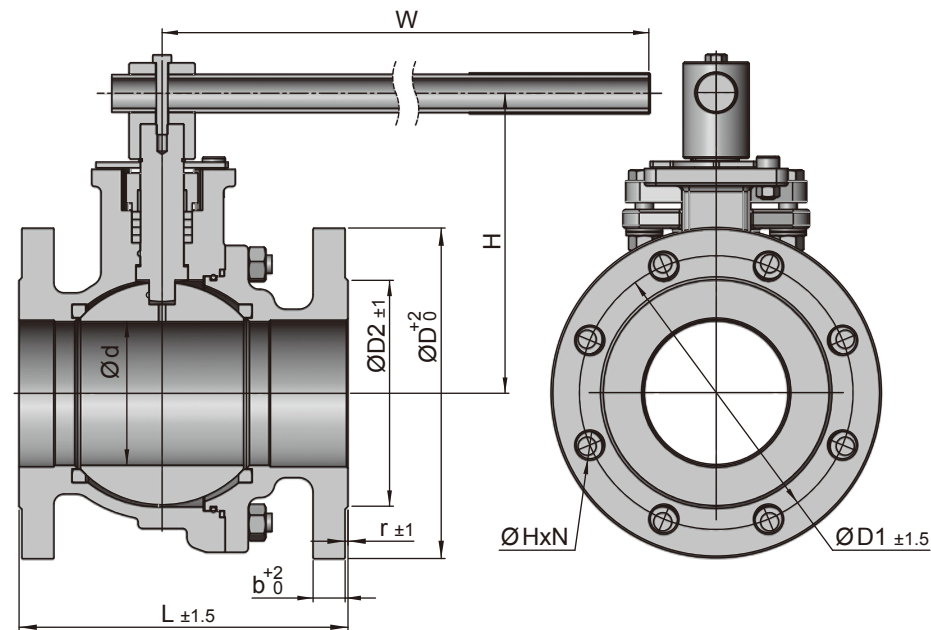


| ITEM | PART NAME | STAINLESS STEEL | CARBON STEEL | ITEM | PART NAME | STAINLESS STEEL | CARBON STEEL |
|------|--------------|-----------------|---------------|------|---------------|-----------------|--------------|
| 1 | Body | CF8M | WCB | 14 | Nut | A194-8M | A194-2HM |
| 2 | End Cap | CF8M | WCB | 15 | Stop Plate | SUS 304 | SUS 304 |
| 3 | Seat | PTFE+15% GF | PTFE+15% GF | 16 | T-Block | WCB | WCB |
| 4 | Ball | CF8M | CF8M | 17 | Disc Spring | SS 304 | SS 304 |
| 5 | Stem | SUS 316 | SUS 316 | 18 | Snap Ring | SUS 420 | SUS 420 |
| 6 | Body Seal | 316L+GRAPHITE | 316L+GRAPHITE | 19 | Stop Screw | SS 302 | SS 302 |
| 7 | Gasket | PTFE | PTFE | 20 | Stop Nut | SS 304 | SS 304 |
| 8 | Packing | GRAPHITE | GRAPHITE | 21 | Hex Bolt | SUS 304 | SUS 304 |
| 9 | Stem Bearing | PTFE | PTFE | 22 | Pipe | CS+Zn Plated | CS+Zn Plated |
| 10 | Gland Flange | SUS 304 | SUS 304 | 23 | Spring | SUS 316 | SUS 316 |
| 11 | Hex Bolt | A193-B8 | A193-B8 | 24 | Static Device | SUS 316 | SUS 316 |
| 12 | Gland Nut | SUS 304 | SUS 304 | 25 | Pipe Cover | VINYL | VINYL |
| 13 | Stud | A193-B8M | A193-B7M | 26 | O-ring | VITON | VITON |

* 我方有權隨時變更材質/設計/規格，以便提供品質優良的產品。

We reserve the right to modify the design / specification without previous notice for better quality.

尺寸圖 DIMENSION LIST



251 (Class 150)

| SIZE | d | D2 | D1 | D | b | r | L | ØH-N | W | H | ISO5211 |
|--------|-----|-------|-------|-----|------|---|-----|------|-------|-------|---------|
| 1/2" | 16 | 34.9 | 60.3 | 90 | 8.5 | 2 | 108 | 16x4 | 136.5 | 91.6 | F05 |
| 3/4" | 20 | 42.9 | 69.9 | 100 | 8.9 | 2 | 117 | 16x4 | 136.5 | 91.6 | F05 |
| 1" | 25 | 50.8 | 79.4 | 110 | 9.6 | 2 | 127 | 16x4 | 186.5 | 107.9 | F05 |
| 1-1/2" | 38 | 73 | 98.4 | 125 | 12.7 | 2 | 165 | 16x4 | 230 | 119.8 | F07 |
| 2" | 50 | 92.1 | 120.7 | 150 | 14.3 | 2 | 178 | 19x4 | 230 | 138.5 | F07 |
| 2-1/2" | 65 | 104.8 | 139.7 | 180 | 15.9 | 2 | 190 | 19x4 | 350 | 170.4 | F10 |
| 3" | 80 | 127 | 152.4 | 190 | 17.5 | 2 | 203 | 19x4 | 350 | 190.3 | F10 |
| 4" | 100 | 157.2 | 190.5 | 230 | 22.3 | 2 | 229 | 19x8 | 400 | 208.8 | F10 |
| 5" | 127 | 185.7 | 216 | 255 | 22.3 | 2 | 356 | 22x8 | 400 | 233.5 | F10 |
| 6" | 152 | 215.9 | 241.3 | 280 | 23.9 | 2 | 394 | 22x8 | 800 | 279.8 | F12 |
| 8" | 203 | 269.9 | 298.5 | 345 | 27 | 2 | 457 | 22x8 | 1200 | 361.1 | F14 |

253 (Class 300)

| SIZE | d | D2 | D1 | D | b | r | L | ØH-N | W | H | ISO5211 |
|--------|-----|-------|-------|-----|------|---|-----|-------|-------|-------|---------|
| 1/2" | 16 | 34.9 | 66.7 | 95 | 12.7 | 2 | 140 | 16x4 | 136.5 | 91.6 | F05 |
| 3/4" | 20 | 42.9 | 82.6 | 115 | 14.3 | 2 | 152 | 19x4 | 136.5 | 91.6 | F05 |
| 1" | 25 | 50.8 | 88.9 | 125 | 15.9 | 2 | 165 | 19x4 | 186.5 | 107.9 | F05 |
| 1-1/2" | 38 | 73 | 114.3 | 155 | 19.1 | 2 | 190 | 22x4 | 230 | 119.8 | F07 |
| 2" | 50 | 92.1 | 127 | 165 | 20.7 | 2 | 216 | 19x8 | 230 | 138.5 | F07 |
| 2-1/2" | 65 | 104.8 | 149.2 | 190 | 23.9 | 2 | 241 | 22x8 | 350 | 170.4 | F10 |
| 3" | 80 | 127 | 168.3 | 210 | 27 | 2 | 282 | 22x8 | 350 | 190.3 | F10 |
| 4" | 100 | 157.2 | 200 | 255 | 30.2 | 2 | 305 | 22x8 | 400 | 208.8 | F10 |
| 5" | 127 | 185.7 | 235 | 280 | 33.4 | 2 | 381 | 22x8 | 400 | 233.5 | F10 |
| 6" | 152 | 215.9 | 269.9 | 320 | 35 | 2 | 403 | 22x12 | 1200 | 323.1 | F14 |
| 8" | 203 | 269.9 | 330.2 | 380 | 39.7 | 2 | 502 | 25x12 | 1450 | 389.6 | F16 |

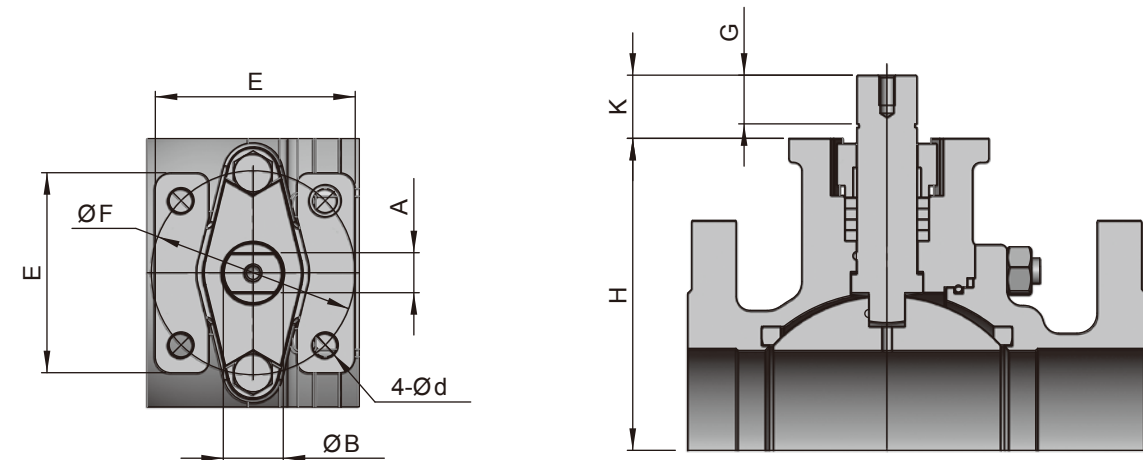
256 (Class 600)

| SIZE | d | D2 | D1 | D | b | r | L | ØH-N | W | H | ISO5211 |
|--------|-----|-------|-------|-----|------|---|-----|------|-------|-------|---------|
| 1/2" | 16 | 34.9 | 66.7 | 95 | 14.3 | 7 | 165 | 16x4 | 136.5 | 91.6 | F05 |
| 3/4" | 20 | 42.9 | 82.6 | 115 | 15.9 | 7 | 190 | 19x4 | 136.5 | 91.6 | F05 |
| 1" | 25 | 50.8 | 88.9 | 125 | 17.5 | 7 | 216 | 19x4 | 186.5 | 107.9 | F05 |
| 1-1/2" | 38 | 73 | 114.3 | 155 | 22.3 | 7 | 241 | 22x4 | 230 | 119.8 | F07 |
| 2" | 50 | 92.1 | 127 | 165 | 25.4 | 7 | 292 | 19x8 | 350 | 157.4 | F07/F10 |
| 3" | 80 | 127 | 168.3 | 210 | 31.8 | 7 | 356 | 22x8 | 400 | 198.5 | F10 |
| 4" | 100 | 157.2 | 215.9 | 275 | 38.1 | 7 | 432 | 25x8 | 800 | 254.8 | F12 |

* 我方有權隨時變更材質/設計/規格，以便提供品質優良的產品。

We reserve the right to modify the design / specification without previous notice for better quality.

平台架尺寸 DIMENSIONS OF ISO MOUNTING PAD



251 (Class 150)

| SIZE | A | B | d | E | F | G | K | H | ISO5211 |
|--------|----|------|----|-------|-----|------|------|-------|---------|
| 1/2" | 8 | 12.7 | 7 | 50 | 50 | 10 | 11 | 57.1 | F05 |
| 3/4" | 8 | 12.7 | 7 | 50 | 50 | 10 | 11 | 57.1 | F05 |
| 1" | 9 | 16 | 7 | 50 | 50 | 10 | 10.8 | 68.6 | F05 |
| 1-1/2" | 12 | 18 | 10 | 70 | 70 | 16.5 | 22.4 | 81.1 | F07 |
| 2" | 14 | 19 | 10 | 70 | 70 | 18.4 | 24.2 | 100 | F07 |
| 2-1/2" | 16 | 24 | 12 | 95.5 | 102 | 24.9 | 31.7 | 117.5 | F10 |
| 3" | 20 | 30 | 12 | 95.5 | 102 | 24.4 | 31.6 | 137.5 | F10 |
| 4" | 20 | 30 | 12 | 100 | 102 | 24.4 | 31.6 | 156 | F10 |
| 5" | 20 | 30 | 12 | 100 | 102 | 25.1 | 32.3 | 180 | F10 |
| 6" | 26 | 38 | 14 | 115 | 125 | 28.6 | 36.5 | 218 | F12 |
| 8" | 32 | 48 | 18 | 137.5 | 140 | 40 | 50.5 | 283 | F14 |

253 (Class 300)

| SIZE | A | B | d | E | F | G | K | H | ISO5211 |
|--------|----|------|----|-------|-----|------|------|-------|---------|
| 1/2" | 8 | 12.7 | 7 | 50 | 50 | 10 | 11 | 57.1 | F05 |
| 3/4" | 8 | 12.7 | 7 | 50 | 50 | 10 | 11 | 57.1 | F05 |
| 1" | 9 | 16 | 7 | 50 | 50 | 10 | 10.8 | 68.6 | F05 |
| 1-1/2" | 12 | 18 | 10 | 70 | 70 | 16.5 | 22.4 | 81.1 | F07 |
| 2" | 14 | 19 | 10 | 70 | 70 | 18.4 | 24.2 | 100 | F07 |
| 2-1/2" | 16 | 24 | 12 | 95.5 | 102 | 24.9 | 31.7 | 117.5 | F10 |
| 3" | 20 | 30 | 12 | 95.5 | 102 | 24.4 | 31.6 | 137.5 | F10 |
| 4" | 20 | 30 | 12 | 100 | 102 | 24.4 | 31.6 | 156 | F10 |
| 5" | 20 | 30 | 12 | 100 | 102 | 25.1 | 32.3 | 180 | F10 |
| 6" | 32 | 48 | 18 | 137.5 | 140 | 40 | 50.5 | 245 | F14 |
| 8" | 40 | 58 | 22 | 165 | 165 | 50.9 | 61.4 | 301 | F16 |

256 (Class 600)

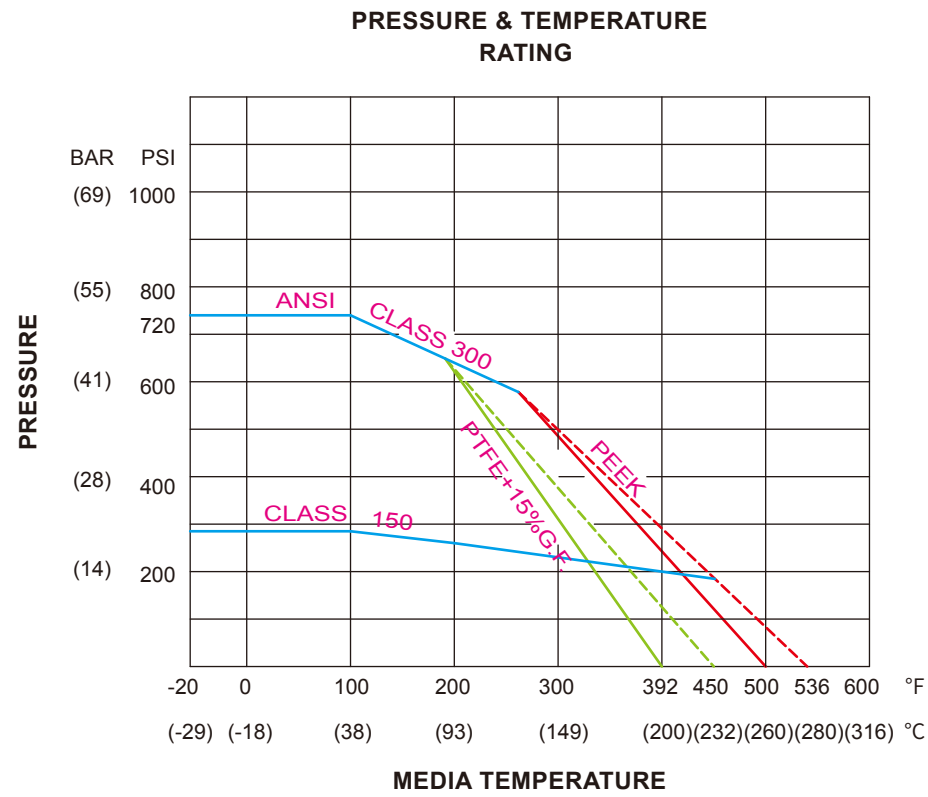
| SIZE | A | B | d | E | F | G | K | H | ISO5211 |
|--------|----|------|-------|-----|--------|------|------|------|---------|
| 1/2" | 8 | 12.7 | 7 | 50 | 50 | 10 | 11 | 57.1 | F05 |
| 3/4" | 8 | 12.7 | 7 | 50 | 50 | 10 | 11 | 57.1 | F05 |
| 1" | 9 | 16 | 7 | 50 | 50 | 10 | 10.8 | 68.6 | F05 |
| 1-1/2" | 12 | 18 | 10 | 70 | 70 | 16.5 | 22.4 | 81.1 | F07 |
| 2" | 16 | 24 | 10/12 | 98 | 70/102 | 19.9 | 26.7 | 106 | F07/F10 |
| 3" | 20 | 30 | 12 | 102 | 102 | 25 | 32.3 | 145 | F10 |
| 4" | 26 | 38 | 14 | 115 | 125 | 28.2 | 36.1 | 193 | F12 |

* 我方有權隨時變更材質/設計/規格，以便提供品質優良的產品。

We reserve the right to modify the design / specification without previous notice for better quality.

溫度壓力曲線圖 P/T CHART

型號 Fig. No. : 251, 253

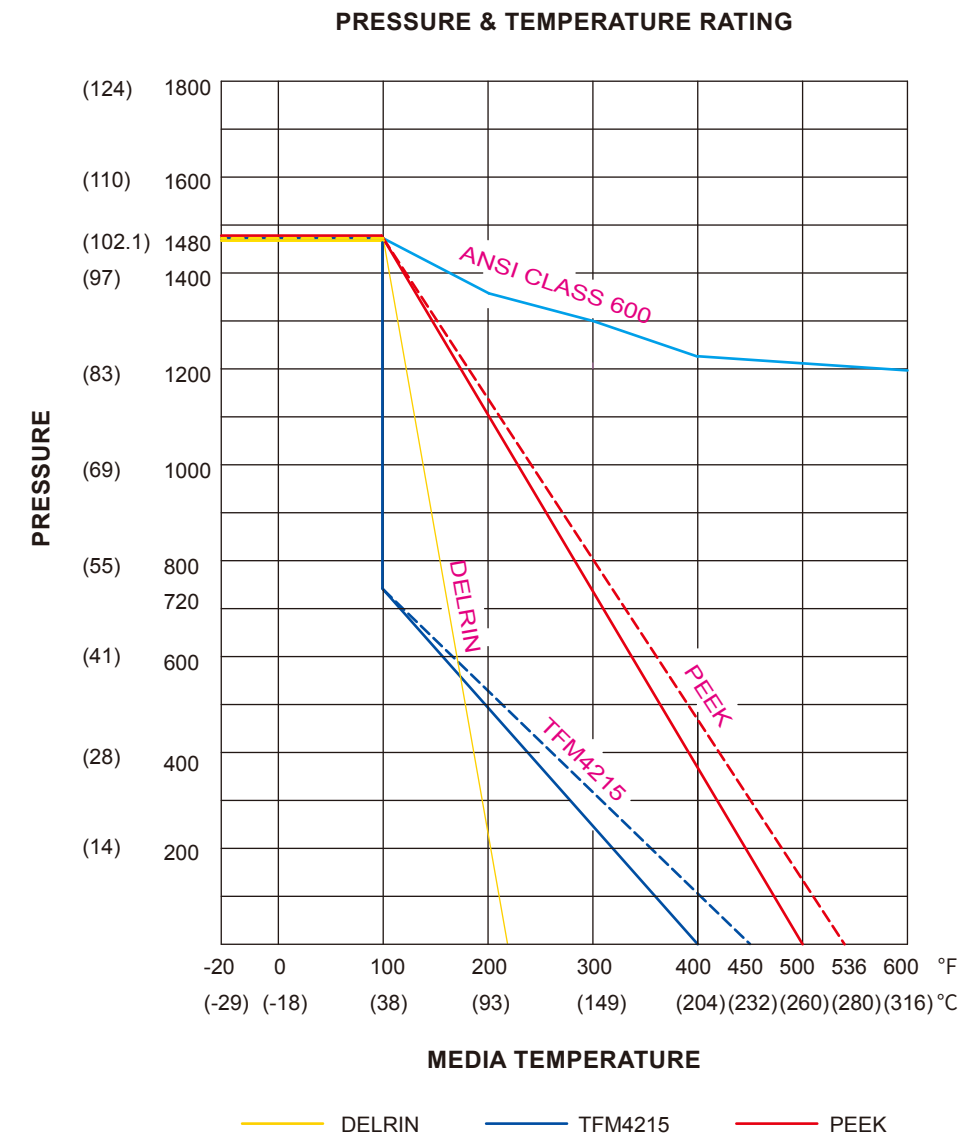


Remark:

1. It is recommended that the appropriate seat material, providing a higher pressure & temperature, is selected, if you feel the standard material is borderline and you prefer a larger safety allowance.
2. For steam service, options available are PEEK, PTFE+50%SS, or Metal seat, depending on the service application.
3. Final selection of seat material is the user's choice, experience & responsibility.
4. Solid Lines-Continuous Temperature
Dotted Lines-Intermittent / Peak Temperature

溫度壓力曲線圖 P/T CHART

型號 Fig. No. : 256



Remark:

1. It is recommended that the appropriate seat material, providing a higher pressure & temperature, is selected, if you feel the standard material is borderline and you prefer a larger safety allowance.
2. For steam service, options available are PEEK, PTFE+50%SS, or Metal seat, depending on the service application.
3. Final selection of seat material is the user's choice, experience & responsibility.
4. Solid Lines-Continuous Temperature
Dotted Lines-Intermittent / Peak Temperature