



SERIES

衛生球閥
Sanitary Ball Valve

產品介紹

Product Introduction

應用 APPLICATIONS

飲用水、食品與飲料工業、半導體產業。
Drinking Water, Food & Beverage Industry, Semiconductor.

技術資料 TECHNICAL DATA

| | |
|-------------------------|---|
| 設計 Design | EN12516-1 |
| 尺寸 Size | 1/2" ~ 2" |
| 壓力等級 Pressure Rating | 1000 WOG |
| 端口 End Connections | 管夾端、對焊端、Orbital焊端 Clamp End, Butt Weld End, Orbital Weld End |
| 產品檢測 Testing | API 598 |
| 流量 Bore | 全流量 Full Bore |

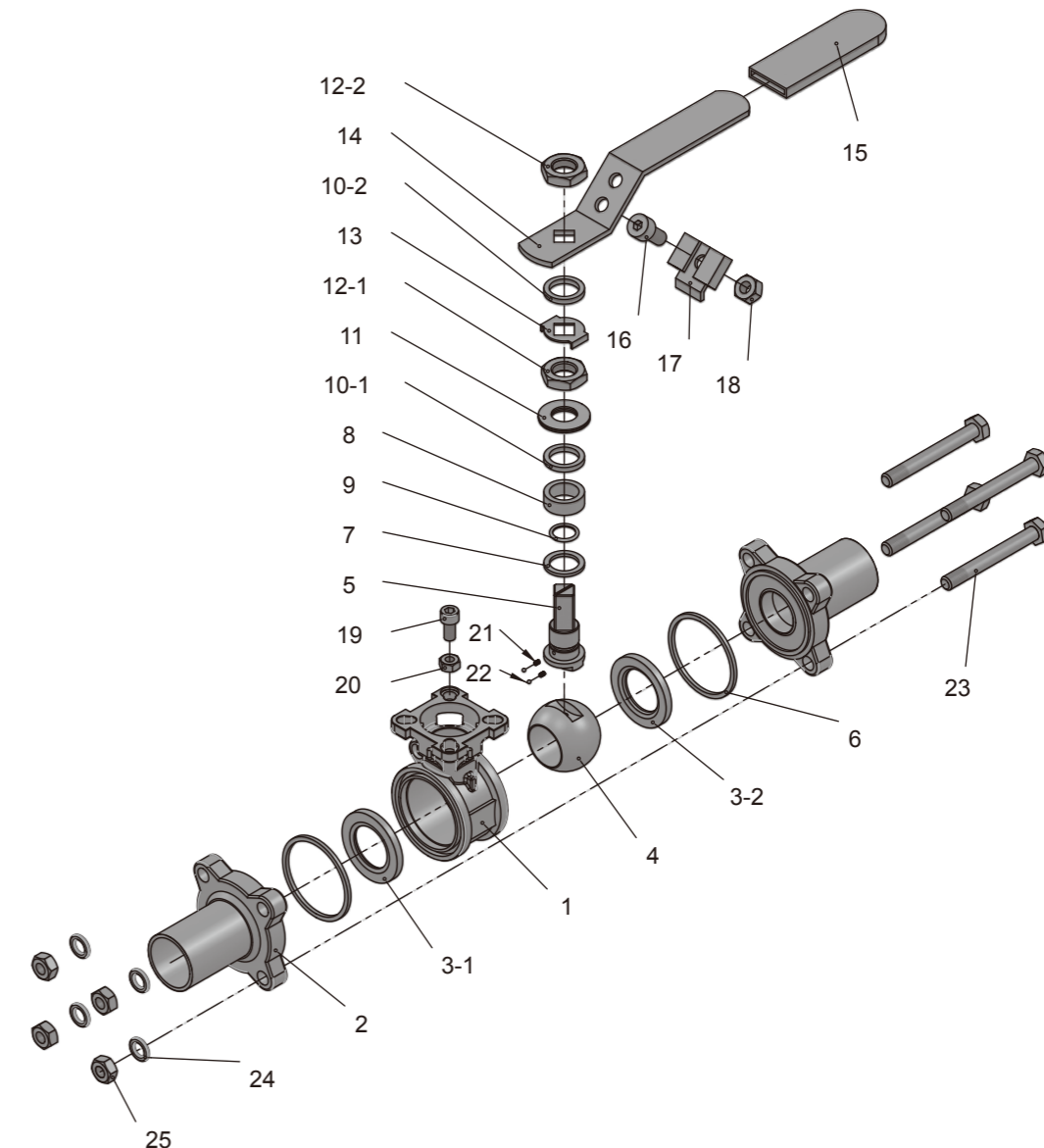


特點 FEATURES

- 以具有競爭力的價格提供卓越的閥門設計。
 - 內孔拋光粗糙度達8-12µm，可應要求提供。
 - 可直接安裝執行器的 ISO 平台架，不需支架連接桿，節省成本、空間及時間。
 - 延長軸心可應要求提供。
 - RPTFE密封消除了對產品污染的擔憂。
 - 較低的操作扭力，便於操作並降低執行器成本。
 - 明確的開關位置指示。
 - 防爆軸心。
 - NACE MR0175 可應要求提供。
 - 可使用附鎖裝置。
 - 防靜電裝置。
 - 根據 ISO 9001 認證的質量體系製造。
 - CE 標示符合 PED 2014/68/EU，可應要求提供。
 - 多種球座材質可供選擇。
- 除了標準的球座材質，球座有以下材質可供選擇。每個球座選項將滿足廣泛的性能，適用於許多應用：
- Modified PTFE
 - Modified PTFE + 25% Carbon Fiber
 - PTFE + 50% SS
 - PEEK
- * 請參考溫壓圖
- Superior valve design at a competitive price.
 - ID Highly-polished roughness achieve 8-12 µm on request.
 - Machined ISO actuator mounting pad for directly mount actuator, bracket and adaptor is unnecessary, save cost, space and time.
 - Extension Bonnet is available on request.
 - RPTFE seal relieves concern over product contamination.
 - Lower operating torque for ease of operation and reduced actuator cost.
 - Positive position indication.
 - Blowout-proof shaft.
 - NACE MR0175 available on request.
 - Locking device is available.
 - Anti-static device.
 - Manufactured under ISO 9001 certified quality system.
 - CE marking according to PED 2014/68/EU. Available on request.
 - Various seat material are available.
- In addition to standard seat material, following variety is available. Each material option will meet a wide range of performance, suitable for many applications.
- Modified PTFE
 - Modified PTFE + 25% Carbon Fiber
 - PTFE + 50% SS
 - PEEK
- * Please refer to the Pressure-Temperature rating

MODEL **307**

物料表 MATERIAL COMPOSITION

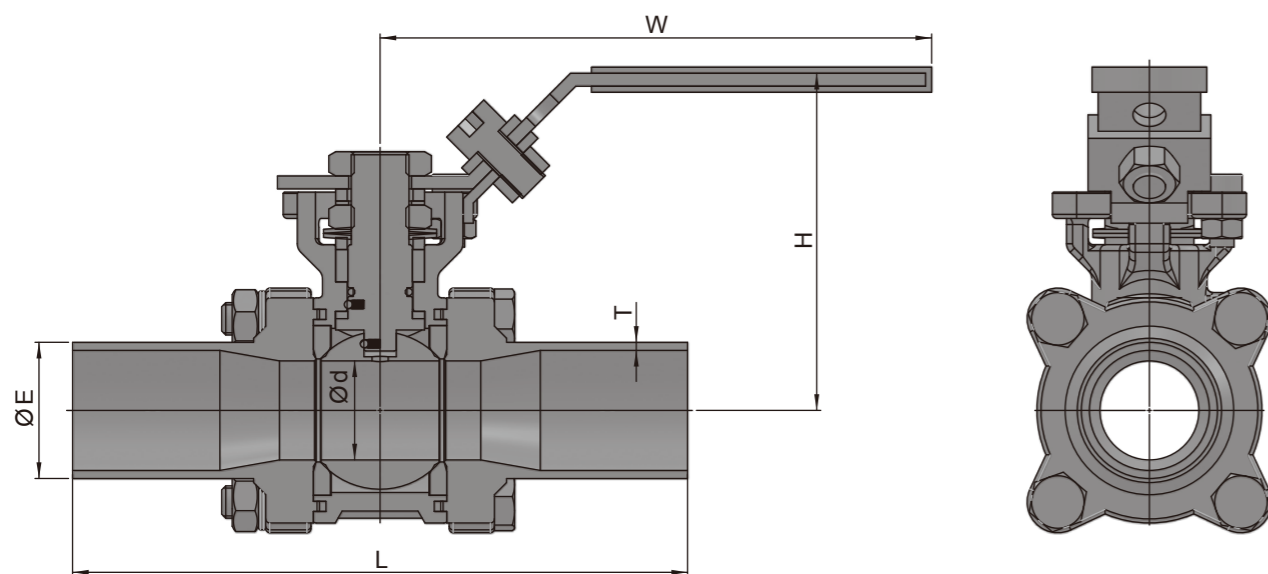


| ITEM | PART NAME | STAINLESS STEEL | CARBON STEEL | ITEM | PART NAME | STAINLESS STEEL | CARBON STEEL |
|------|--------------------------|--------------------|-------------------|------|----------------|-----------------|--------------|
| 1 | Body | A351-CF8M | A216-WCB | 13 | Locking Tab | SS 304 | SS 304 |
| 2 | End Caps | A351-CF8M | A216-WCB | 14 | Handle | SS 304 | SS 304 |
| 3 | Seats | PTFE+15%G.F. | PTFE+15%G.F. | 15 | Handle Cover | VINYL | VINYL |
| 4 | Ball | A351-CF8M / SS 316 | A351-CF8 / SS 304 | 16 | Screw | SS 304 | SS 304 |
| 5 | Stem | SS 316 | SS 304 | 17 | Locking Device | SS 304 | SS 304 |
| 6 | Body Seal | PTFE | PTFE | 18 | Nut | SS 304 | SS 304 |
| 7 | Thrust Washer | PTFE+15%G.F. | PTFE+15%G.F. | 19 | Stop Screw | SS 304 | SS 304 |
| 8 | Packing | PTFE | PTFE | 20 | Stop Nut | SS 304 | SS 304 |
| 9 | O-Ring | VITON | VITON | 21 | Spring | SS 316 | SS 316 |
| 10 | Gland Ring | SS 304 | SS 304 | 22 | Static Device | SS 316 | SS 316 |
| 11 | Belleville Spring Washer | SS 301 | SS 301 | 23 | Bolt | SS 304 | SS 304 |
| 12 | Lever Nut | SS 304 | SS 304 | 24 | Spring Washer | SS 304 | SS 304 |
| | | | | 25 | Nut | SS 304 | SS 304 |

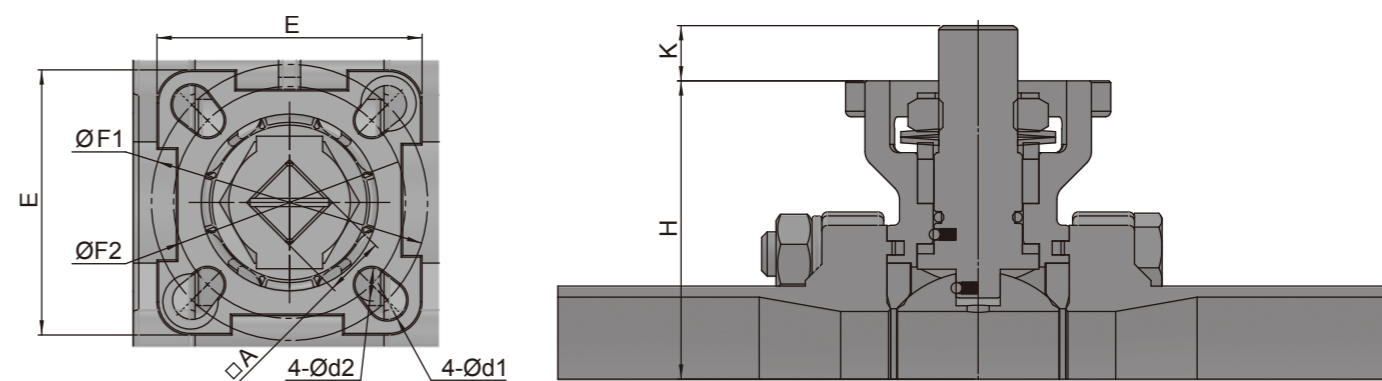
* 我方有權隨時變更材質/設計/規格，以便提供品質優良的產品。

We reserve the right to modify the design / specification without previous notice for better quality.

尺寸圖 DIMENSION LIST



平台架尺寸 DIMENSIONS OF ISO MOUNTING PAD



307

| SIZE | d | L | W | H | E | T | ISO5211 |
|--------|------|-------|-----|-------|------|---|---------|
| 1/2" | 16 | 140.2 | 110 | 70.9 | 21.3 | 2 | F03/F04 |
| 3/4" | 20 | 140 | 110 | 73.4 | 26.9 | 2 | F03/F04 |
| 1" | 24.5 | 152.2 | 135 | 84.1 | 33.7 | 2 | F04/F05 |
| 1-1/4" | 32 | 165.2 | 165 | 89.3 | 42.4 | 2 | F04/F05 |
| 1-1/2" | 38 | 190.4 | 165 | 109.5 | 48.3 | 2 | F05/F07 |
| 2" | 50 | 203 | 165 | 118.9 | 60.3 | 2 | F05/F07 |

* 我方有權隨時變更材質/設計/規格，以便提供品質優良的產品。

We reserve the right to modify the design / specification without previous notice for better quality.

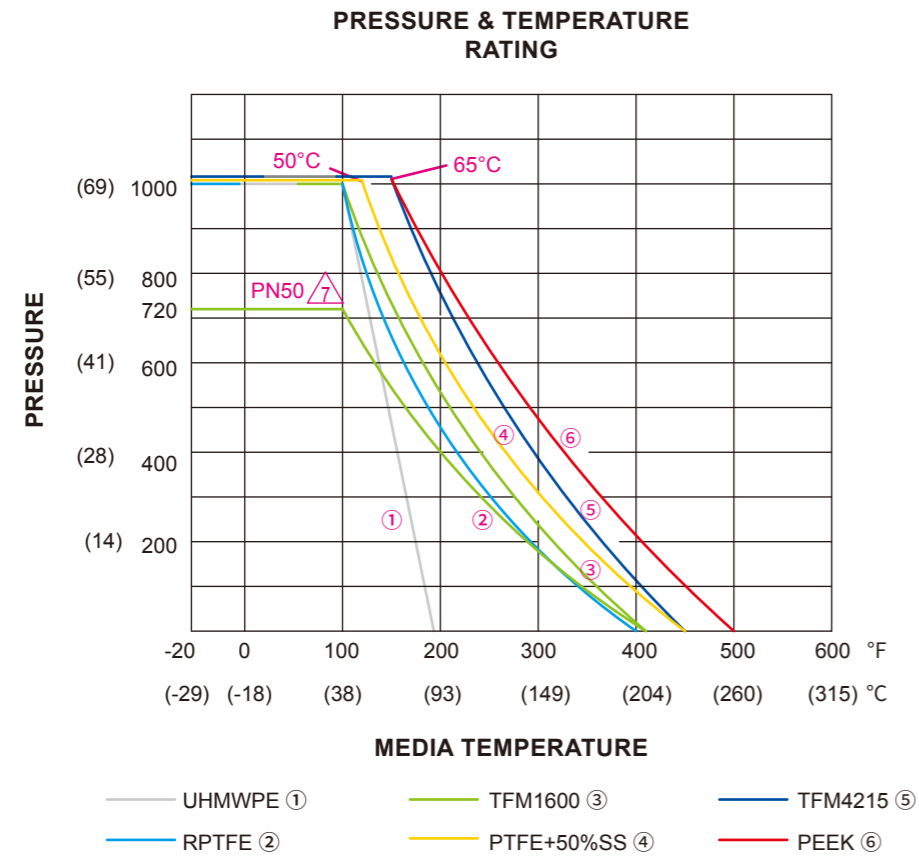
307

| SIZE | A | d1 | d2 | E | F1 | F2 | K | H | ISO5211 |
|--------|----|----|----|----|----|----|------|------|---------|
| 1/4" | 9 | 6 | 6 | 42 | 42 | 36 | 8 | 42.3 | F03/F04 |
| 3/8" | 9 | 6 | 6 | 42 | 42 | 36 | 8 | 42.3 | F03/F04 |
| 1/2" | 9 | 6 | 6 | 42 | 42 | 36 | 8 | 42.3 | F03/F04 |
| 3/4" | 9 | 6 | 6 | 42 | 42 | 36 | 8 | 44.8 | F03/F04 |
| 1" | 11 | 7 | 6 | 48 | 50 | 42 | 10 | 54 | F04/F05 |
| 1-1/4" | 11 | 7 | 6 | 48 | 50 | 42 | 10 | 59.2 | F04/F05 |
| 1-1/2" | 14 | 9 | 7 | 68 | 70 | 50 | 14.8 | 73.5 | F05/F07 |
| 2" | 14 | 9 | 7 | 68 | 70 | 50 | 14.8 | 82.9 | F05/F07 |

* 我方有權隨時變更材質/設計/規格，以便提供品質優良的產品。

We reserve the right to modify the design / specification without previous notice for better quality.

溫度壓力曲線圖 P/T CHART



Remark:

1. It is recommended that the appropriate seat material, providing a higher pressure & temperature, is selected, if you feel the standard material is borderline and you prefer a larger safety allowance.
2. For steam service, options available are PEEK, PTFE+50%SS, or Metal seat, depending on the service application.
3. Final selection of seat material is the user's choice, experience & responsibility.
4. Solid Lines-Continuous Temperature
Dotted Lines-Intermittent / Peak Temperature