



SERIES

超低溫球閥
 Cryogenic Ball Valve

MODEL

39A / 26A / 26J
產品介紹
 Product Introduction

應用 APPLICATIONS

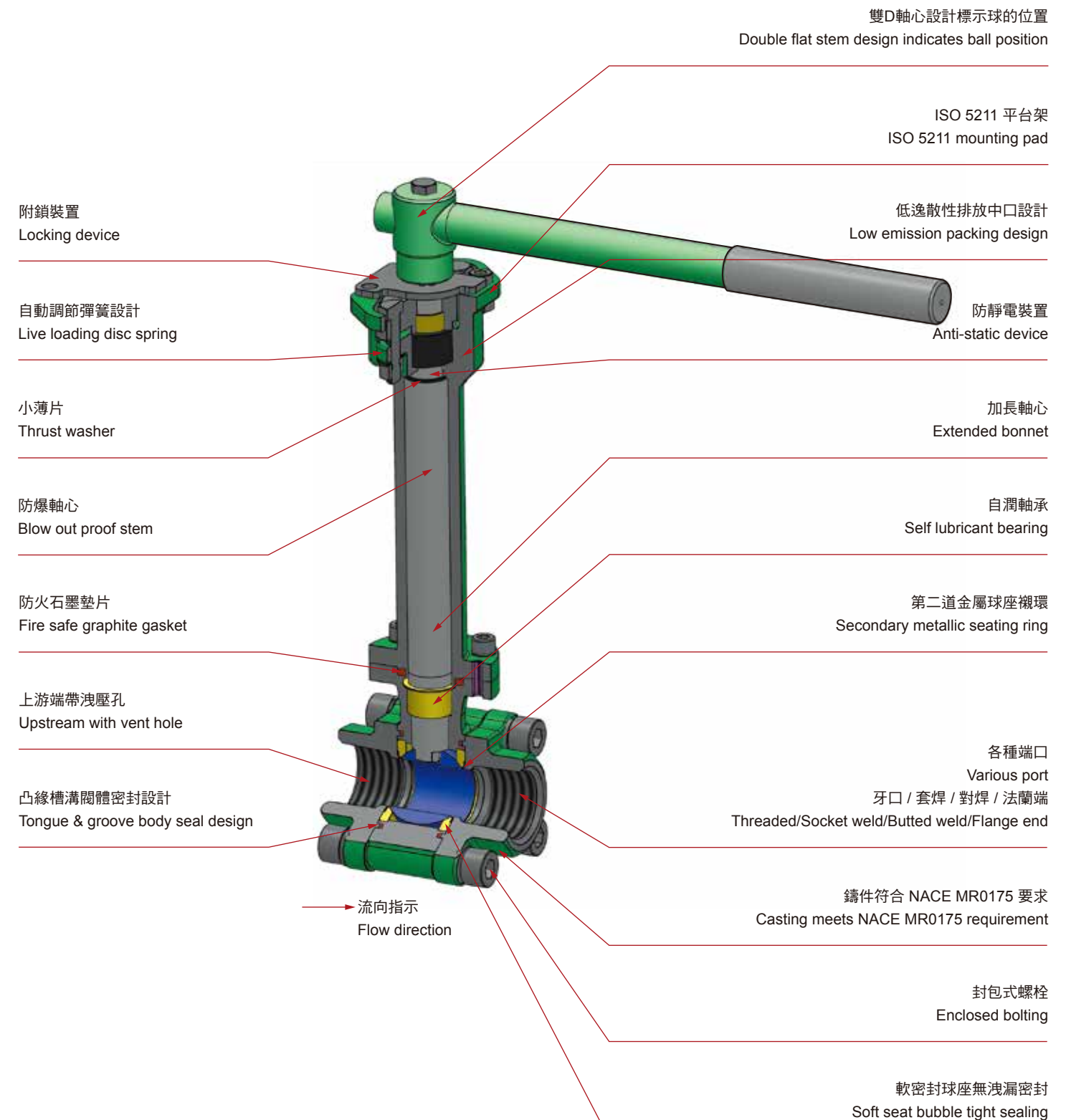
 化工廠、液化天然氣。
 Chemical Plant, LNG

技術資料 TECHNICAL DATA

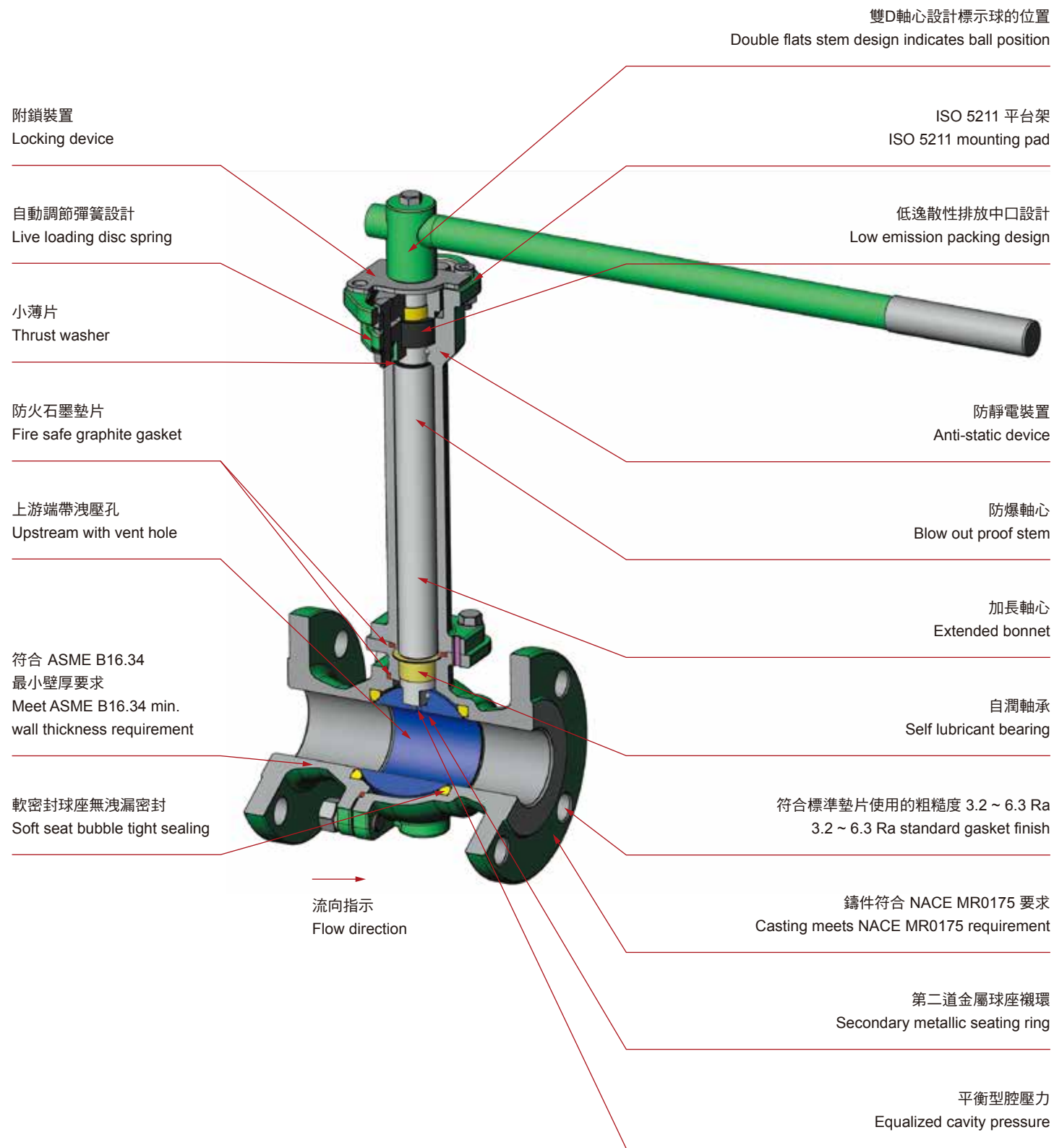
設計 Design	B16.34, API 608
尺寸 Size	1/2" ~ 4" (DN15 ~ DN100)
壓力等級 Pressure Rating	Class 150, 300, 600, 1500 WOG
端口 End Connections	法蘭端、牙口端、套焊端、對焊端、長焊端 Flanged end, Threaded End, Socket Weld, Butt Weld, Extended Butt Weld
產品檢測 Testing	API 598
流量 Bore	全流量 Full Bore
認證 Certificate	API 607: 39A MSS SP-134: 39A ISO 15848-1

特點 FEATURES

- 以具有競爭力的價格提供卓越的閥門設計。
- 易燃和非易燃非應用的逸散性洩漏控制，可應要求提供。(39A, 26J)
- 閥門逸散性排放能力通過 ISO 15848-1 第三方控制，可應要求提供。(39A, 26J)
- 可直接安裝執行器的 ISO 平台架，不需支架連接桿，節省成本、空間及時間。
- 延長端蓋可應要求提供。
- 特別適於天然氣&液化天然氣產業。
- 防火認證 API 607。可應要求提供 (39A)
- 明確的開關位置指示。
- 防爆軸心。
- NACE MR0175 可應要求提供。
- 可使用附鎖裝置。
- 防靜電裝置。
- 根據 ISO 9001 認證的質量體系製造。
- 多種球座材質可供選擇。
除了標準的球座材質，球座有以下材質可供選擇。每個球座選項將滿足廣泛的性能，適用於許多應用：
 - RPTFE
 - Modified PTFE (TFM1600)
 - Modified PTFE + 25% Carbon Fiber (TFM4215)
 - PCTFE
- * 請參考溫壓圖
- Superior valve design at a competitive price.
- Fugitive emissions control for flammable and non-flammable applications. Available on request. (39A, 26J)
- Valve fugitive emissions capability third-party certified to ISO 15848-1. Available on request. (39A, 26J)
- Machined ISO actuator mounting pad for directly mount actuator, bracket and adaptor is unnecessary, save cost, space and time.
- Extension End is available on request.
- Particularly suitable for NG & LNG industry.
- Fire test certified to API 607. Available on request. (39A)
- Positive position indication.
- Blowout-proof shaft.
- NACE MR0175 Available on request.
- Locking device is available.
- Anti-static device.
- Manufactured under ISO 9001 certified quality system.
- Various seat material are available.
In addition to standard seat material, following variety is available. Each material option will meet a wide range of performance, suitable for many applications.
 - RPTFE
 - Modified PTFE (TFM1600)
 - Modified PTFE + 25% Carbon Fiber (TFM4215)
 - PCTFE
- * Please refer to the Pressure-Temperature rating

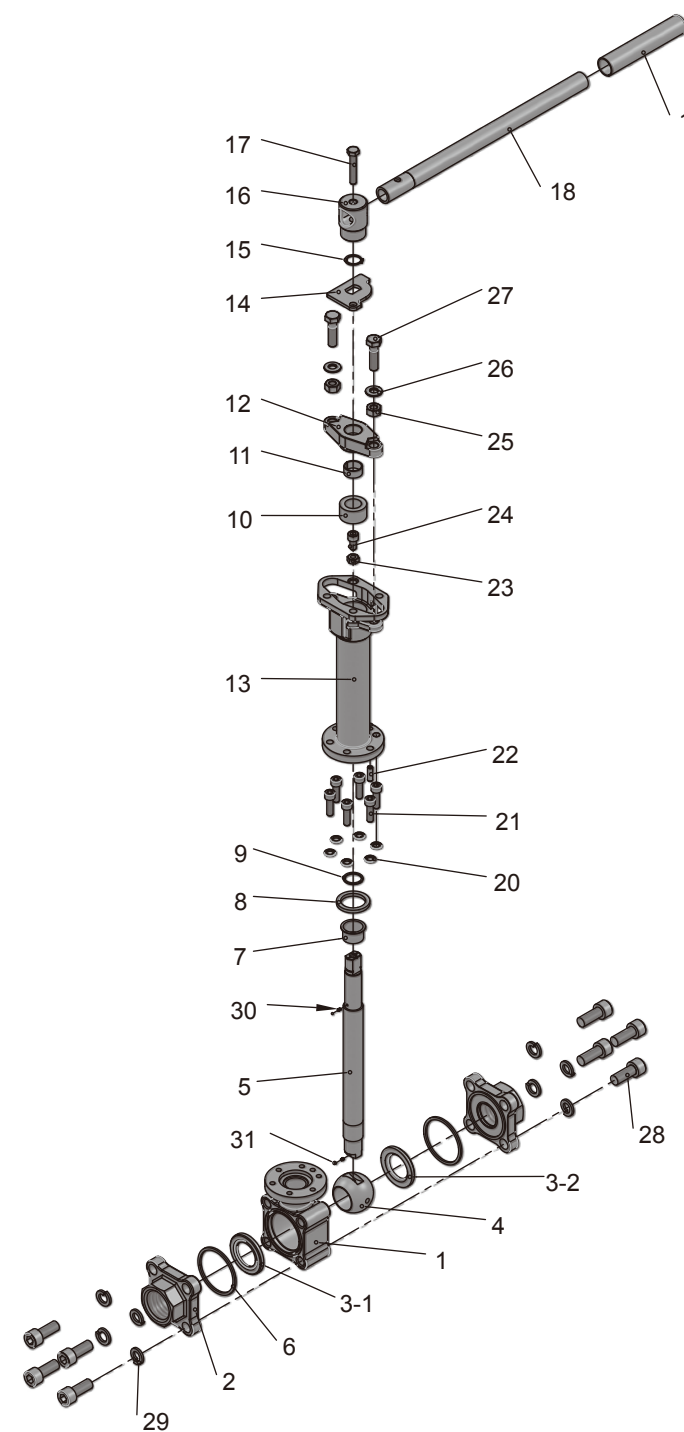
39A剖面圖


26A剖面圖



物料表 MATERIAL COMPOSITION

型號 Fig. No. : 39A

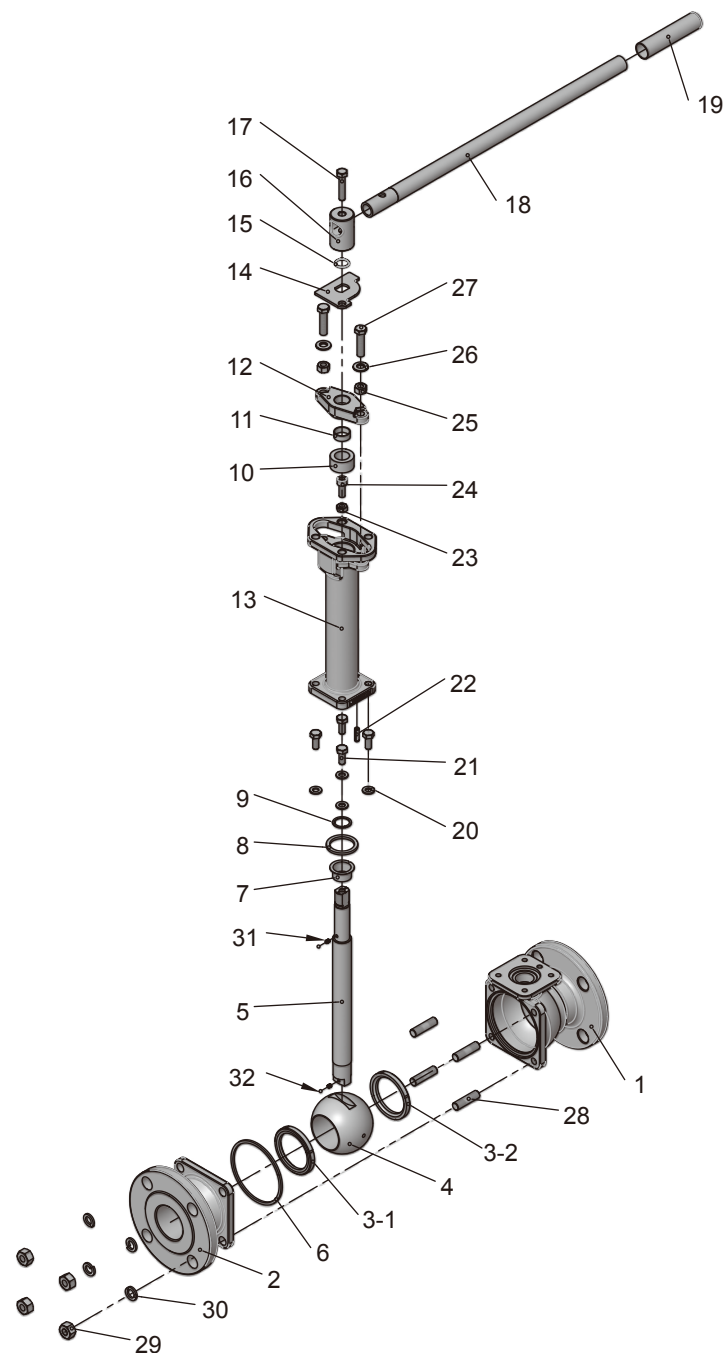


ITEM	PART NAME	STAINLESS STEEL
1	Body	A351-CF8M
2	End Cap	A351-CF8M
3	Seats	PCTFE
4	Ball	A351-CF8M
5	Stem	17-4PH
6	Body Seal	GRAPHITE
7	Bearing	304+PTFE
8	Bonnet Gasket	GRAPHITE
9	Thrust Washer	PCTFE
10	Packing	GRAPHITE
11	Stem Bearing	PTFE
12	Gland Flange	A351-CF8
13	Bracket	A351-CF8M
14	Stop Plate	SS 304
15	Snap Ring	SS 420
16	T-Block	A351-CF8
17	Hex Bolt	SS 304
18	Pipe	SS 304
19	Pipe Cover	VINYL
20	Spring Washer	SS 304
21	Socket Head Bolts	A2-70
22	Spring Pin	SPRING STEEL
23	Stop Nut	SS 304
24	Stop Screw	SS 304
25	Gland Nut	A194-8M
26	Disc Spring	SS 301
27	Gland Bolt	A193-B8
28	Stud	A2-70
29	Spring Washer	SS 304
30	Spring	SS 316
31	Static Device	SS 316

* 我方有權隨時變更材質/設計/規格，以便提供品質優良的產品。
We reserve the right to modify the design / specification without previous notice for better quality.

物料表 MATERIAL COMPOSITION

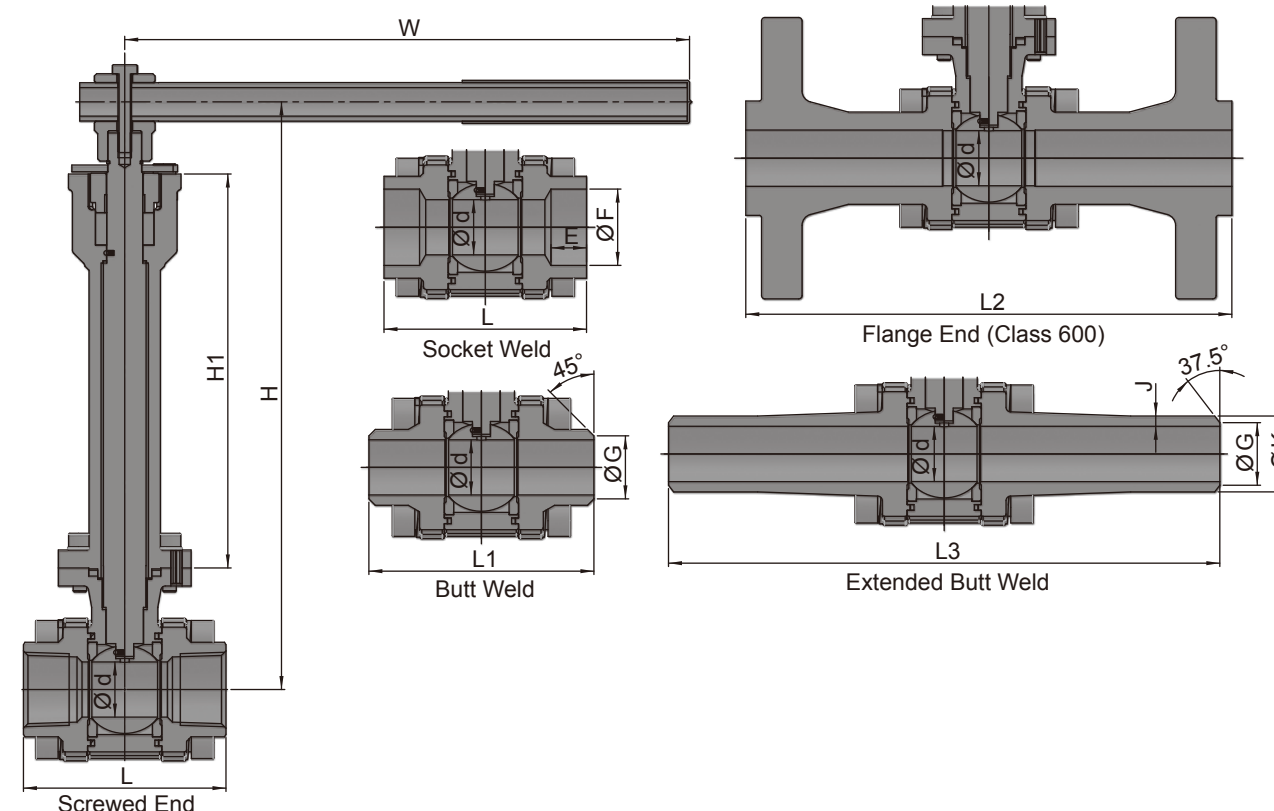
型號 Fig. No. : 26A



ITEM	PART NAME	STAINLESS STEEL
1	Body	A351-CF8M
2	End Cap	A351-CF8M
3	Seats	PCTFE
4	Ball	A351-CF8M
5	Stem	17-4PH
6	Body Seal	GRAPHITE
7	Bearing	304+PTFE
8	Bonnet Gasket	GRAPHITE
9	Thrust Washer	PCTFE
10	Packing	GRAPHITE
11	Stem Bearing	PTFE
12	Gland Flange	A351-CF8
13	Bracket	CF3M/316L
14	Stop Plate	SS 304
15	Snap Ring	SS 420
16	T-Block	A351-CF8
17	Hex Bolt	SS 304
18	Pipe	SS 304
19	Pipe Cover	VINYL
20	Spring Washer	SS 304
21	Hex Bolt	A193-B8M CLS2
22	Spring Pin	SPRING STEEL
23	Stop Nut	SS 304
24	Stop Screw	SS 304
25	Gland Nut	A194-8M
26	Disc Spring	SS 301
27	Gland Bolt	A194-8M
28	Stud	A193-B8M CLS2
29	Nut	A194-8M
30	Spring Washer	SS 304
31	Spring	SS 316
32	Static Device	SS 316

* 我方有權隨時變更材質/設計/規格，以便提供品質優良的產品。
We reserve the right to modify the design / specification without previous notice for better quality.

尺寸圖 DIMENSION LIST

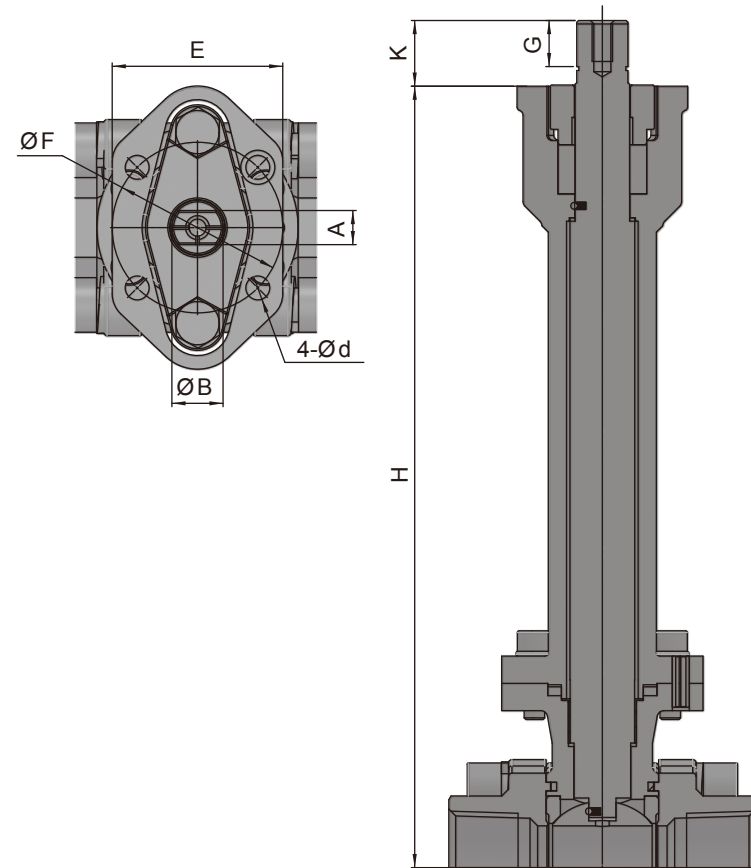


39A (1500 WOG)

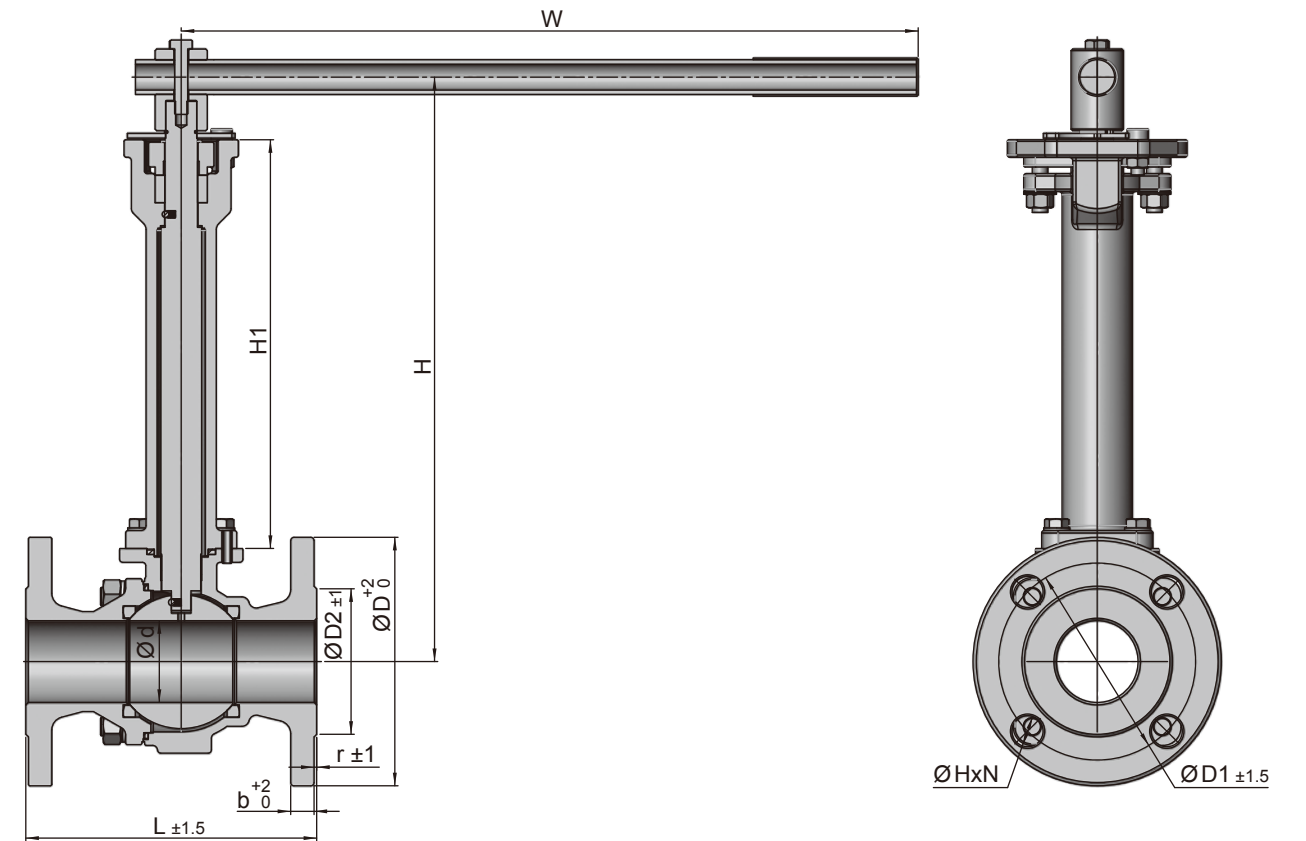
SIZE	d	L	L1	L2	L3	W	H	H1	E	F	G	K	J	
													SCH40	SCH80
1/2"	16	75	75	165	225	181.5	222.3	176.5	11.2	21.8	17	21.3	2.77	3.73
3/4"	20	80	90	190	225	181.5	224.8	176.5	14.3	27.2	22	26.9	2.87	3.91
1"	24.5	90	100	216	245	250	261.1	175	15.8	33.9	28	33.7	3.38	4.55
1-1/4"	32	110	110	229	255	250	265.1	175	17.5	42.7	37	42.7	3.56	4.85
1-1/2"	38	120	125	241	260	450	306.4	200	19.1	48.8	43	48.3	3.68	5.08
2"	50	140	150	292	275	450	315.7	200	21.3	61.2	54	60.3	3.91	5.51

* 我方有權隨時變更材質/設計/規格，以便提供品質優良的產品。
We reserve the right to modify the design / specification without previous notice for better quality.

平台架尺寸 DIMENSIONS OF ISO MOUNTING PAD



尺寸圖 DIMENSION LIST



39A (1500 WOG)

SIZE	A	B	d	E	F	G	K	H	ISO5211
1/2"	8	12	7	50	50	9	14.1	217	F05
3/4"	8	12	7	50	50	9	14.4	219.5	F05
1"	10	15	7	50	50	13.5	19.3	229	F05
1-1/4"	10	15	7	50	50	13.5	19.3	233.2	F05
1-1/2"	14	19	10	70	70	18.5	24.1	268	F07
2"	14	19	10	70	70	18.5	24.1	277.4	F07

26A (Class 150)

SIZE	d	D2	D1	D	b	r	L	ØH-N	W	H	H1	ISO5211
1/2"	16	35	60.5	89	9.5	1.6	108	16x4	180.5	274.6	200	F05
3/4"	20	43	69.8	99	9.5	1.6	117	16x4	180.5	274.6	200	F05
1"	25	51	79.2	108	9.7	1.6	127	16x4	250	282.3	200	F05
1-1/2"	38	73	98.6	127	12.7	1.6	165	16x4	450	349.2	250	F07
2"	50	92	120.6	152	14.2	1.6	178	19x4	450	357.5	250	F07
3"	80	127	152.4	190	17.5	1.6	203	19x4	565	449.2	300	F10
4"	100	157	190.5	229	22.4	1.6	229	19x8	565	473	300	F10

26J (Class 300)

SIZE	d	D2	D1	D	b	r	L	ØH-N	W	H	H1	ISO5211
1/2"	16	35	66.5	95	12.7	1.6	140	16x4	180.5	275.1	200	F05
3/4"	20	43	82.6	117	14.2	1.6	152	19x4	180.5	275.1	200	F05
1"	25	51	88.9	124	15.7	1.6	165	19x4	250	282.3	200	F05
1-1/2"	38	73	114.3	155	19	1.6	190	22x4	450	349.2	250	F07
2"	50	92	127	165	20.6	1.6	216	19x8	450	362.5	250	F07
3"	80	127	168.1	210	26.9	1.6	282	22x8	565	456.2	300	F10
4"	100	157	200.2	254	30.2	1.6	305	22x8	565	480	300	F10

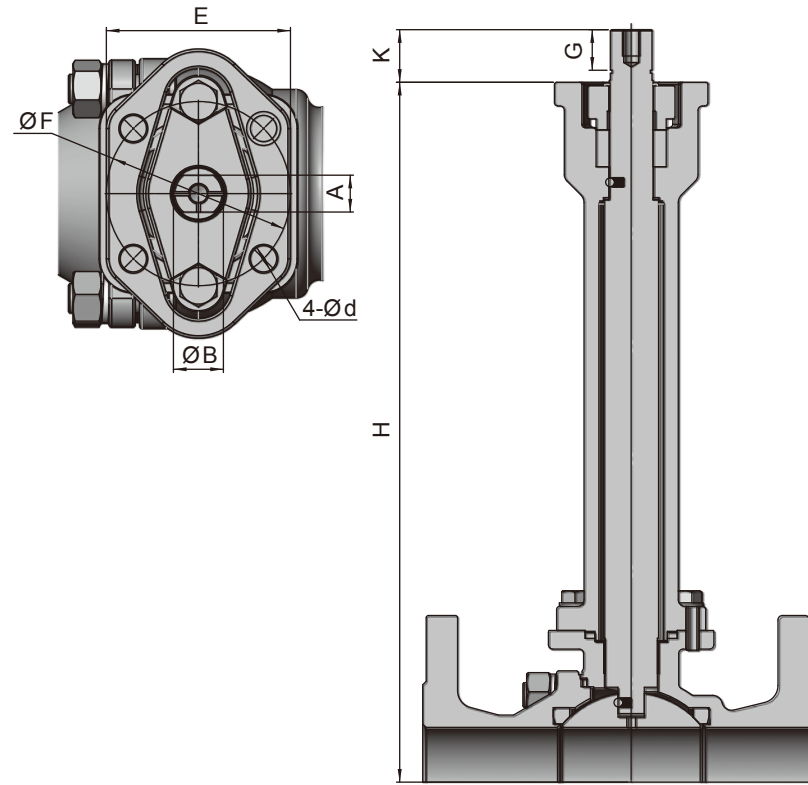
* 我方有權隨時變更材質/設計/規格，以便提供品質優良的產品。

We reserve the right to modify the design / specification without previous notice for better quality.

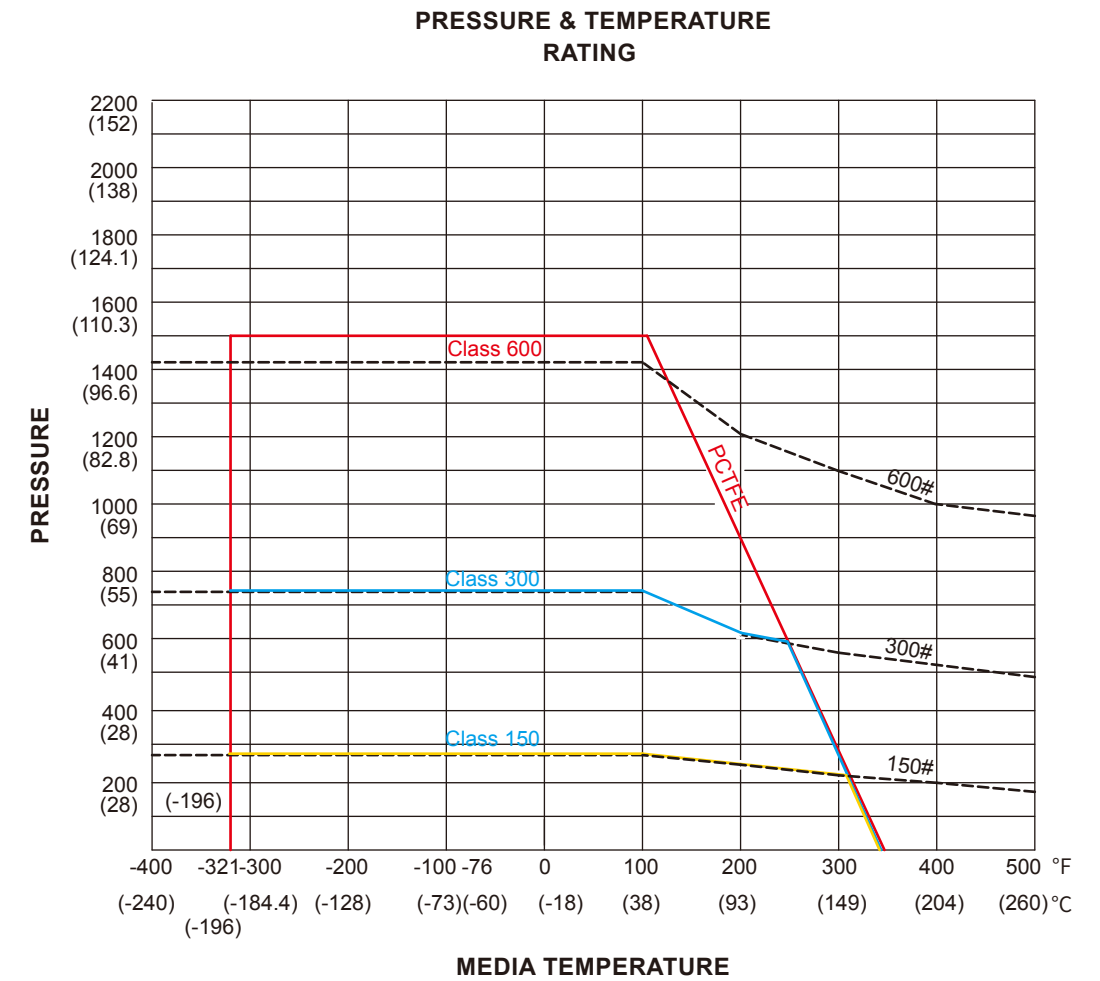
* 我方有權隨時變更材質/設計/規格，以便提供品質優良的產品。

We reserve the right to modify the design / specification without previous notice for better quality.

平台架尺寸 DIMENSIONS OF ISO MOUNTING PAD



溫度壓力曲線圖 P/T CHART



26A (Class 150)

SIZE	A	B	d	E	F	G	K	H	ISO5211
1/2"	8	12	7	50	50	9	14.4	242.6	F05
3/4"	8	12	7	50	50	9	14.4	242.6	F05
1"	10	15	7	50	50	13.5	18.9	250.6	F05
1-1/2"	14	19	10	70	70	18.5	24.1	310.9	F07
2"	14	19	10	70	70	18.5	24.1	319.2	F07
3"	20	30	12	100	102	24.9	31.8	396.2	F10
4"	20	30	12	100	102	24.9	31.8	420	F10

26J (Class 300)

SIZE	A	B	d	E	F	G	K	H	ISO5211
1/2"	8	12	7	50	50	9	14.4	243.1	F05
3/4"	8	12	7	50	50	9	14.4	243.1	F05
1"	10	15	7	50	50	13.5	18.9	250.6	F05
1-1/2"	14	19	10	70	70	18.5	24.1	310.9	F07
2"	14	19	10	70	70	18.5	24.1	324.2	F07
3"	20	30	12	100	102	24.9	31.8	403.2	F10
4"	20	30	12	100	102	24.9	31.8	427	F10

* 我方有權隨時變更材質/設計/規格，以便提供品質優良的產品。

We reserve the right to modify the design / specification without previous notice for better quality.

Remark:

1. It is recommended that the appropriate seat material, providing a higher pressure & temperature, is selected, if you feel the standard material is borderline and you prefer a larger safety allowance.
2. For steam service, options available are PEEK, PTFE+50%SS, or Metal seat, depending on the service application.
3. Final selection of seat material is the user's choice, experience & responsibility.