



SERIES

牙口 / 對焊 / 套焊球閥
Threaded End / Butt Weld / Socket Weld End Ball Valve

MODEL

一片式 1-PC : 102 / 118 三片式 3-PC : 301 / 302 / 303 / 305 產品介紹
二片式 2-PC : 201 / 202 / 203 / 207 由任端 Union End : 29U Product Introduction



應用 APPLICATIONS

礦業與礦物加工業、水與汙水處理、化工廠、石油與天然氣工業、高壓流體、蒸氣及高溫流體、壓縮天然氣與液化天然氣、汽車工業、一般流體。
Mining & Mineral Processing, Water & Waste Water, Chemical Plant, Oil & Gas, High Pressure Fluid, Steam & High Temperature Fluid, CNG & LNG, Automotive Industry, General Fluid.

技術資料 TECHNICAL DATA

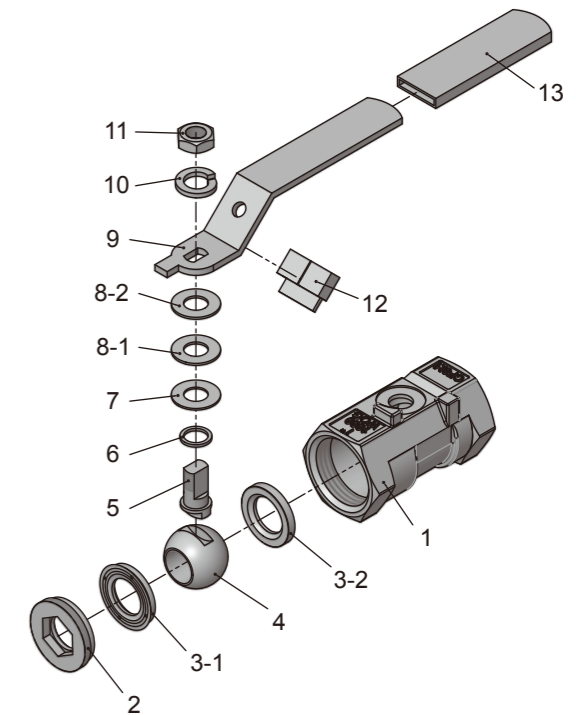
設計 / 尺寸 Design / Size	EN12516-1/-3, MSS-SP-110 1/4" ~ 4" (DN8 ~ DN100)
壓力等級 Pressure Rating	1000 WOG, 2000 WOG
端口 End Connections	牙口端、套焊端、對焊端、長焊端 Threaded End, Socket Weld End, Butt Weld End Long Butt Weld End
產品檢測 Testing	API 598, EN12266-1
流量 Bore	減流量 Reduced Bore: 102, 118 標準流量 Standard Bore: 203 全流量 Full Bore: 207, 301/31L, 302/32L, 303, 305
認證 Certificate	API 607: 118, 305 AGA AS 4617, AS 4629: 305 UL: 201 (720), 301 (730), 39J, 29U CRN: 201 (720), 301 (730) PED 2014/68/EU 認證適用於 CE 市場的產品 PED 2014/68/EU Approval for CE market product

特點 FEATURES

- 以具有競爭力的價格提供卓越的閥門設計。
- 可使用於執行器的 ISO 平台架 (303, 305)。
- 延長端蓋可應要求提供。
- RPTFE密封消除了對產品污染的擔憂。
- 防火認證 API 607。(118, 305)。
- 較低的操作扭力，便於操作並降低執行器成本。
- 明確的開關位置指示。
- 防爆軸心。
- NACE MR0175 可應要求提供 (118)。
- 可使用附鎖裝置。
- 防靜電裝置。
- 根據 ISO 9001 認證的質量體系製造。
- 標準 CE 標示符合 PED 2014/68/EU，可應要求提供。
- 多種球座材質可供選擇。
- 除了標準的球座材質，球座有以下材質可供選擇。
- 每個球座選項將滿足廣泛的性能，適用於許多應用：
 - PTFE + 15% Glass Fiber
 - PTFE + 25% Carbon Fiber
 - Modified PTFE
 - Modified PTFE + 25% Carbon Fiber
 - PTFE + 50% SS
 - PEEK
 - UHMWPE
- * 請參考溫壓圖
- Superior valve design at a competitive price.
- ISO actuator mounting pad. (303, 305)
- Extension End is available on request.
- RPTFE seal relieves concern over product contamination.
- Fire test certified to API 607 and ISO 10497. (118,305)
- Lower operating torque for ease of operation and reduced actuator cost.
- Positive position indication.
- Blowout-proof shaft.
- NACE MR0175 available on request. (118)
- Locking device is available.
- Anti-Static Device.
- Manufactured under ISO 9001 certified quality system.
- CE marking according to PED 2014/68/EU standard. Available on request.
- Various seat material are available.
- In addition to standard seat material, following variety is available.
- Each material option will meet a wide range of performance, suitable for many applications.
 - PTFE + 15% Glass Fiber
 - PTFE + 25% Carbon Fiber
 - Modified PTFE
 - Modified PTFE + 25% Carbon Fiber
 - PTFE + 50% SS
 - PEEK
 - UHMWPE
- * Please refer to the Pressure-Temperature rating

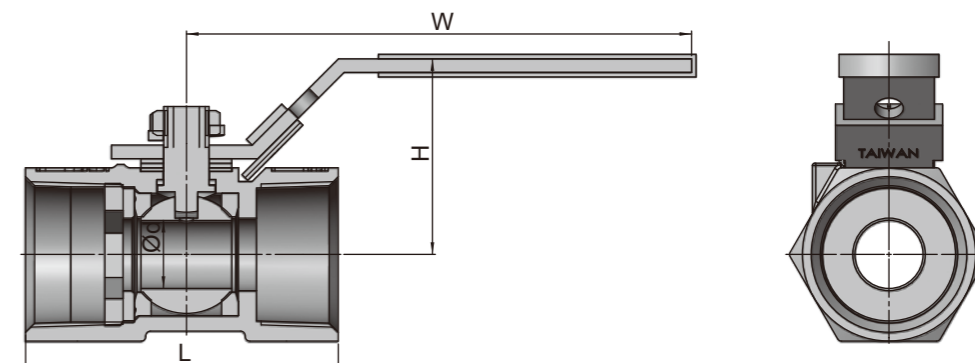
物料表 MATERIAL COMPOSITION

型號 Fig. No. : 102



ITEM	PART NAME	STAINLESS STEEL	CARBON STEEL
1	Body	A351-CF8M	A216-WCB
2	Seat Retainer	A351-CF8M	A216-WCB
3	Seats	PTFE+15%G.F.	PTFE+15%G.F.
4	Ball	A351-CF8M	A351-CF8
5	Stem	SS 316	SS 304
6	Thrust Washer	PTFE+15%G.F.	PTFE+15%G.F.
7	Packing	PTFE+15%G.F.	PTFE+15%G.F.
8	Belleville Spring Washer	SS 420	SS 420
9	Handle	SS 420	SS 420
10	Lever Spring Washer	SS 304	SS 304
11	Lever Nut	SS 304	SS 304
12	Locking Device	SS 304	SS 304
13	Handle Cover	VINYL	VINYL

尺寸圖 DIMENSION LIST



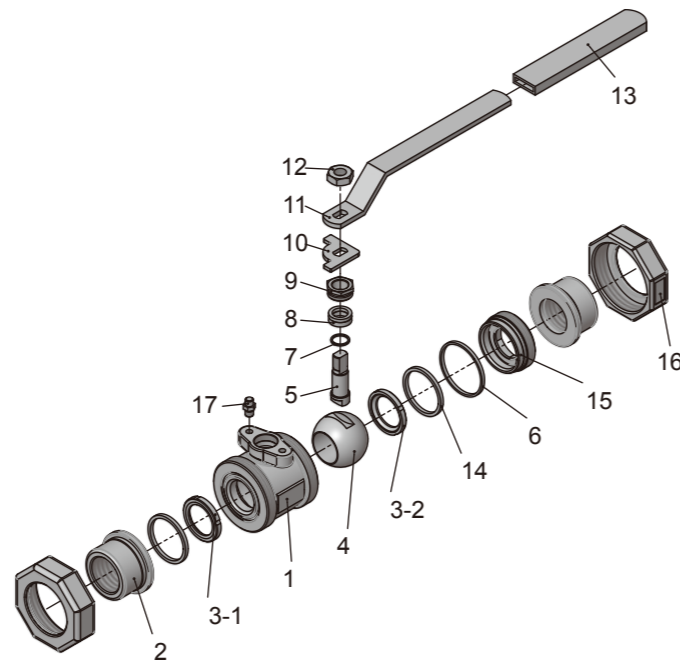
SIZE	d	L	W	H
1/4"	5	38.7	64.4	24.1
3/8"	7	44.2	76.5	25.6
1/2"	9	55.6	93.5	32.9
3/4"	12.5	62.1	93.5	36.2
1"	15	68.9	111.3	43.1
1-1/4"	20	78.2	111.3	47.5
1-1/2"	24.5	86	139	53.5
2"	32	102.7	139	59.6

* 我方有權隨時變更材質/設計/規格，以便提供品質優良的產品。

We reserve the right to modify the design / specification without previous notice for better quality.

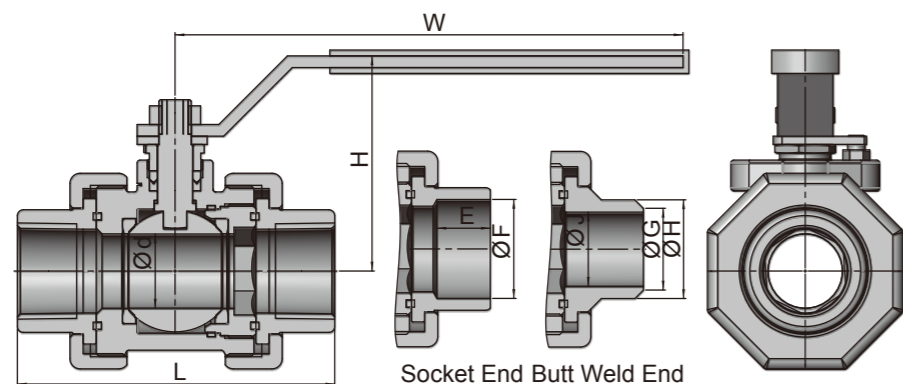
物料表 MATERIAL COMPOSITION

型號 Fig. No. : 29U



ITEM	PART NAME	STAINLESS STEEL	CARBON STEEL
1	Body	A351-CF8M	A216-WCB
2	Union End	A351-CF8M	A216-WCB
3	Seats	TFM1600	TFM1600
4	Ball	A351-CF8M	A351-CF8M
5	Stem	SS 316	SS 316
6	Body Seal	TFM1600	TFM1600
7	Gasket	PTFE	PTFE
8	Packing	TFM1600	TFM1600
9	Gland Packing	SS 304	SS 304
10	Stop Plate	SS 304	SS 304
11	Handle	SS 304	SS 304
12	Lever Nut	SS 304	SS 304
13	Handle Cover	VINYL	VINYL
14	Union Seal	TFM1600	TFM1600
15	Insert	A351-CF8M	A216-WCB
16	Union Nut	A351-CF8M	A216-WCB
17	Stop Screw	SS 304	SS 304

尺寸圖 DIMENSION LIST



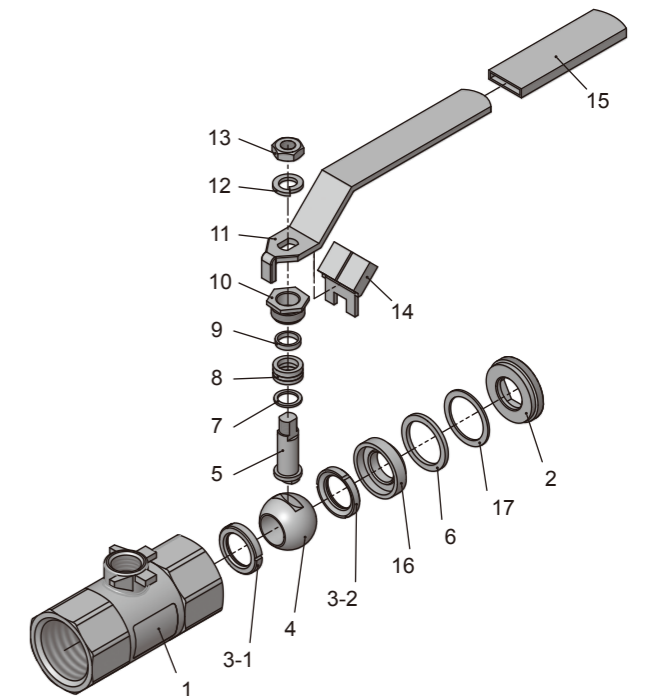
SIZE	d	L	W	H	E	F	G	H	J
1/4"	11.1	90	105	61	11.2	14	13	17.2	11.1
3/8"	11.1	90	105	61	11.2	18	13	17.2	11.1
1/2"	15.8	90	105	61	11.2	22	17	21.3	15.8
3/4"	20.5	94	125.5	70	14.2	27.5	22	26.9	20.5
1"	25.4	108	175.5	74	18.3	34.5	28	33.7	25.4
1-1/4"	31.8	116	198.2	82	18.3	43	37	42.4	33.8
1-1/2"	38.1	132	248.5	89	18.3	49	43	48.3	39.8
2"	50	144	248.5	97	21.3	61.5	54	60.3	50.8

* 我方有權隨時變更材質/設計/規格，以便提供品質優良的產品。

We reserve the right to modify the design / specification without previous notice for better quality.

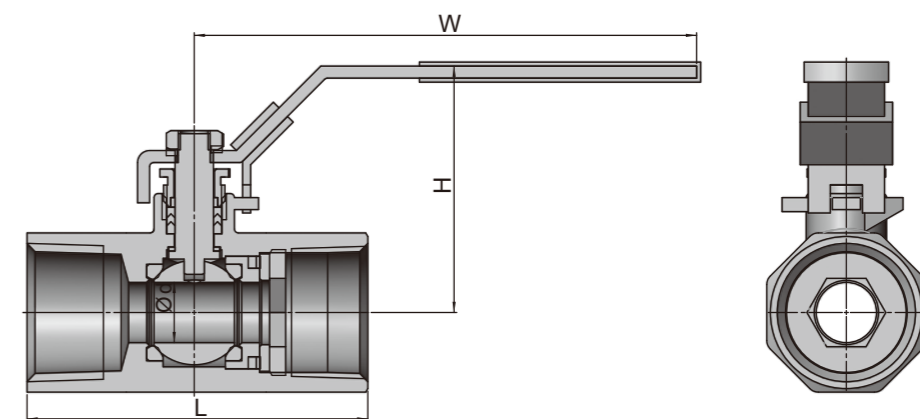
物料表 MATERIAL COMPOSITION

型號 Fig. No. : 118



ITEM	PART NAME	STAINLESS STEEL	CARBON STEEL
1	Body	A351-CF8M	A216-WCB
2	Seat Retainer	A351-CF8M	A216-WCB
3	Seats	PTFE+15%G.F.	PTFE+15%G.F.
4	Ball	A351-CF8M	A351-CF8
5	Stem	SS 316	SS 304
6	Body Seal	PTFE	PTFE
7	Thrust Washer	PTFE	PTFE
8	Packing	PTFE	PTFE
9	Gland Bush	PTFE	PTFE
10	Gland	SS 304	SS 304
11	Handle	SS 304	SS 304
12	Lever Spring Washer	SS 304	SS 304
13	Lever Nut	SS 304	SS 304
14	Locking Device	SS 304	SS 304
15	Handle Cover	VINYL	VINYL
16	Seat Retainer Ring	SS 316	SS 316
17	Support Washer	SS 304	SS 304

尺寸圖 DIMENSION LIST



SIZE	d	L	W	H
1/2"	8	63.5	100	41
3/4"	11	73.2	115	48.3
1"	15	84.8	125	59
1-1/2"	23.5	103.1	160	75
2"	30	115.1	160	80.6

* 我方有權隨時變更材質/設計/規格，以便提供品質優良的產品。

We reserve the right to modify the design / specification without previous notice for better quality.



SERIES

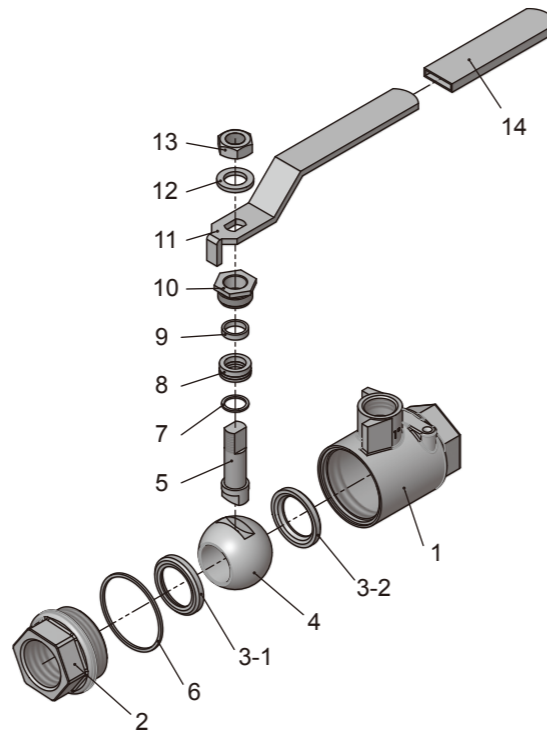
牙口 / 對焊 / 套焊球閥
Threaded End / Butt Weld / Socket Weld End Ball Valve

MODEL

一片式 1-PC : 102 / 118 三片式 3-PC : 301 / 302 / 303 / 305 產品介紹
二片式 2-PC : 201 / 202 / 203 / 207 由任端 Union End : 29U Product Introduction

物料表 MATERIAL COMPOSITION

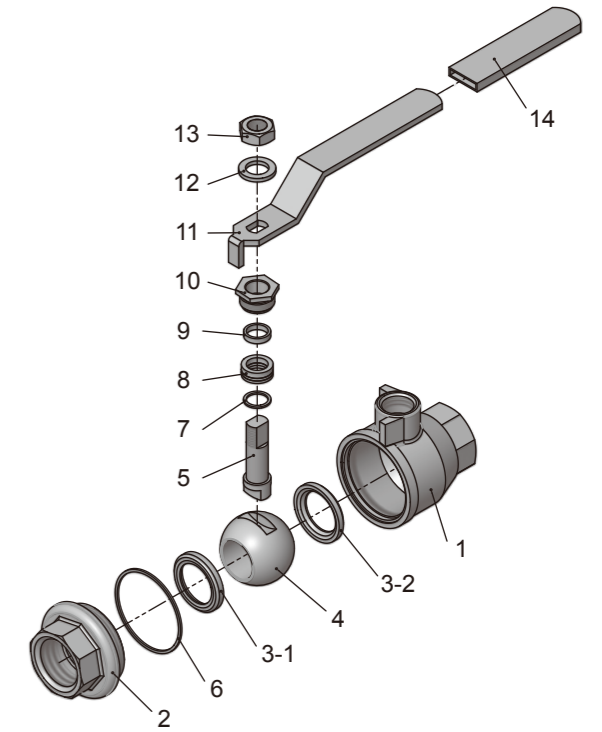
型號 Fig. No. : 201



ITEM	PART NAME	STAINLESS STEEL	CARBON STEEL
1	Body	A351-CF8M	A216-WCB
2	End Caps	A351-CF8M	A216-WCB
3	Seats	PTFE+15%G.F.	PTFE+15%G.F.
4	Ball	A351-CF8M	A351-CF8
5	Stem	SS 316	SS 304
6	Body Seal	PTFE	PTFE
7	Thrust Washer	PTFE	PTFE
8	Packing	PTFE	PTFE
9	Gland Bush	PTFE	PTFE
10	Packing Gland	SS 304	SS 304
11	Handle	SS 304	SS 304
12	Lever Spring Washer	SS 304	SS 304
13	Lever Nut	SS 304	SS 304
14	Handle Cover	VINYL	VINYL

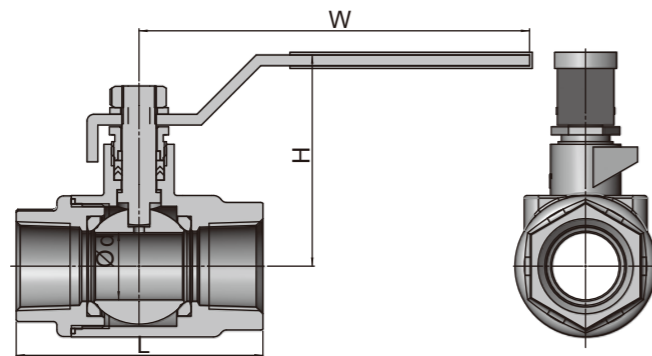
物料表 MATERIAL COMPOSITION

型號 Fig. No. : 202



ITEM	PART NAME	STAINLESS STEEL	CARBON STEEL
1	Body	A351-CF8M	A216-WCB
2	End Caps	A351-CF8M	A216-WCB
3	Seats	PTFE+15%G.F.	PTFE+15%G.F.
4	Ball	A351-CF8M	A351-CF8
5	Stem	SS 316	SS 304
6	Body Seal	PTFE	PTFE
7	Thrust Washer	PTFE	PTFE
8	Packing	PTFE	PTFE
9	Gland Bush	PTFE	PTFE
10	Packing Gland	SS 304	SS 304
11	Handle	SS 304	SS 304
12	Lever Spring Washer	SS 304	SS 304
13	Lever Nut	SS 304	SS 304
14	Handle Cover	VINYL	VINYL

尺寸圖 DIMENSION LIST

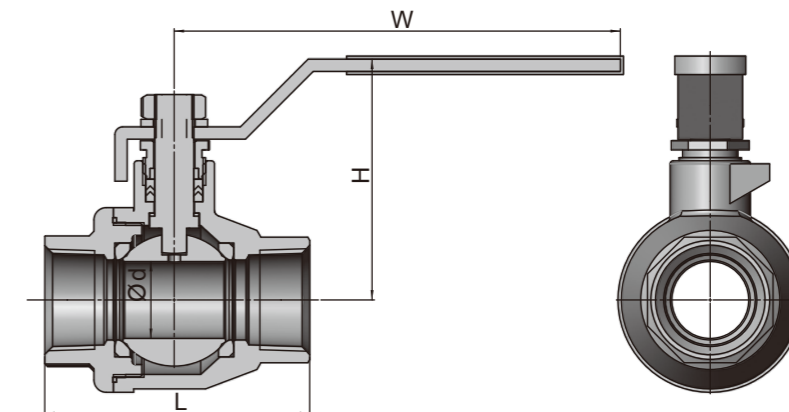


SIZE	d	L	W	H
1/4"	11	56	103	49.2
3/8"	12.5	56	103	49.2
1/2"	15	62.4	103	53.9
3/4"	20	76.6	109	63.3
1"	25	91.6	145	78.2
1-1/4"	32	98.3	145	82.3
1-1/2"	38	117.7	180	93
2"	50	135.2	180	98.7
2-1/2"	65	166.2	230	131
3"	80	198.8	300	143.9
4"	100	235.8	400	163.9

* 我方有權隨時變更材質/設計/規格，以便提供品質優良的產品。

We reserve the right to modify the design / specification without previous notice for better quality.

尺寸圖 DIMENSION LIST



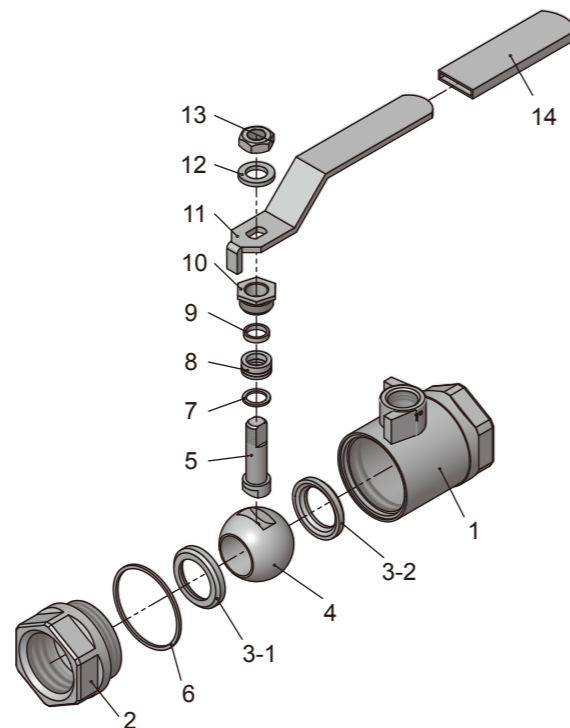
SIZE	d	L	W	H
1/4"	11	55.2	103	49.2
3/8"	12.5	55.2	103	49.2
1/2"	15	68.3	103	53.9
3/4"	20	74.5	109	63.3
1"	25	86.1	145	78.2
1-1/4"	32	99.9	145	82.3
1-1/2"	38	109.8	180	93
2"	50	130.7	180	98.7

* 我方有權隨時變更材質/設計/規格，以便提供品質優良的產品。

We reserve the right to modify the design / specification without previous notice for better quality.

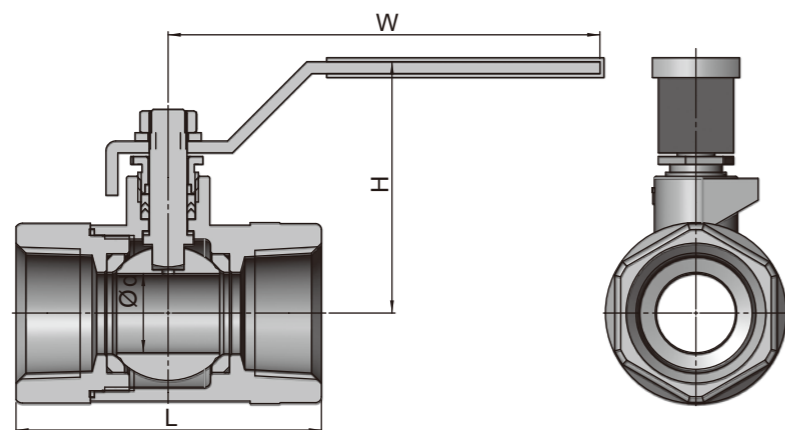
物料表 MATERIAL COMPOSITION

型號 Fig. No. : 203



ITEM	PART NAME	STAINLESS STEEL	CARBON STEEL
1	Body	A351-CF8M	A216-WCB
2	End Caps	A351-CF8M	A216-WCB
3	Seats	PTFE+15%G.F.	PTFE+15%G.F.
4	Ball	A351-CF8M	A351-CF8
5	Stem	SS 316	SS 304
6	Body Seal	PTFE	PTFE
7	Thrust Washer	PTFE	PTFE
8	Packing	PTFE	PTFE
9	Gland Bush	PTFE	PTFE
10	Packing Gland	SS 304	SS 304
11	Handle	SS 304	SS 304
12	Lever Spring Washer	SS 304	SS 304
13	Lever Nut	SS 304	SS 304
14	Handle Cover	VINYL	VINYL

尺寸圖 DIMENSION LIST



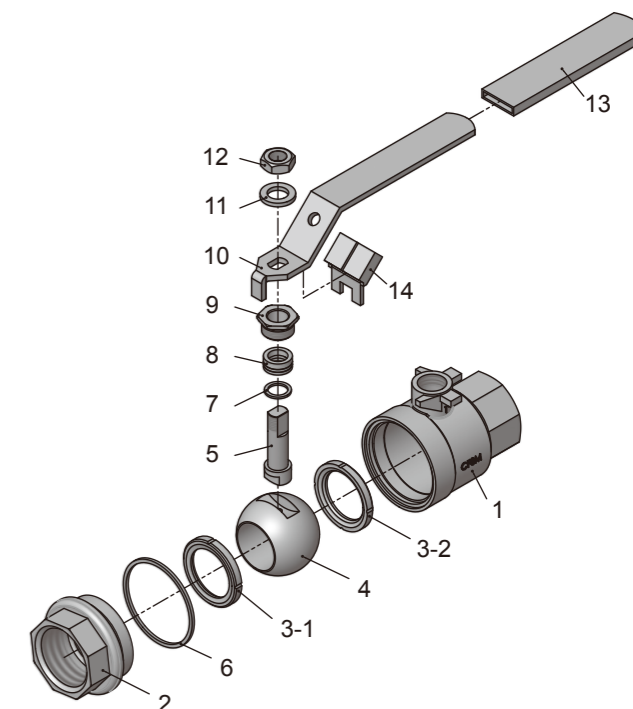
SIZE	d	L	W	H
1/4"	11.1	59.4	103	49.2
3/8"	12.5	59.4	103	49.2
1/2"	12.5	59.4	103	49.2
3/4"	15	66.7	103	53.9
1"	20	75.8	109	63.3
1-1/4"	25	88.6	145	78.2
1-1/2"	32	97.4	145	82.3
2"	38	122	180	93

* 我方有權隨時變更材質/設計/規格，以便提供品質優良的產品。

We reserve the right to modify the design / specification without previous notice for better quality.

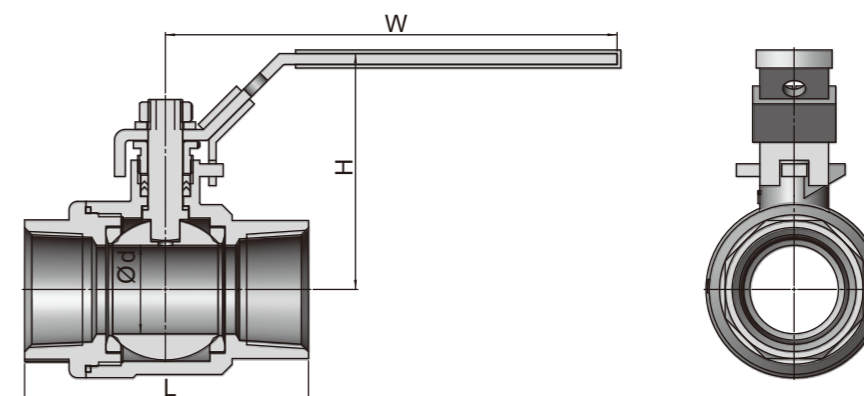
物料表 MATERIAL COMPOSITION

型號 Fig. No. : 207



ITEM	PART NAME	STAINLESS STEEL	CARBON STEEL
1	Body	A351-CF8M	A216-WCB
2	End Caps	A351-CF8M	A216-WCB
3	Seats	PTFE+15%G.F.	PTFE+15%G.F.
4	Ball	A351-CF8M	A351-CF8
5	Stem	SS 316	SS 304
6	Body Seal	PTFE	PTFE
7	Thrust Washer	PTFE	PTFE
8	Packing	PTFE	PTFE
9	Packing Gland	SS 304	SS 304
10	Handle	SS 304	SS 304
11	Lever Spring Washer	SS 304	SS 304
12	Lever Nut	SS 304	SS 304
13	Handle Cover	VINYL	VINYL
14	Locking Device	SS 304	SS 304

尺寸圖 DIMENSION LIST



SIZE	d	L	W	H
1/4"	10	49.2	80	41.4
3/8"	12.5	49.2	80	41.4
1/2"	15	59	80	45
3/4"	20	68.6	100	54.7
1"	24.5	78.6	125	65.3
1-1/4"	32	93.2	125	70.9
1-1/2"	38	103.1	160	84
2"	50	123.3	160	93.3

* 我方有權隨時變更材質/設計/規格，以便提供品質優良的產品。

We reserve the right to modify the design / specification without previous notice for better quality.



SERIES

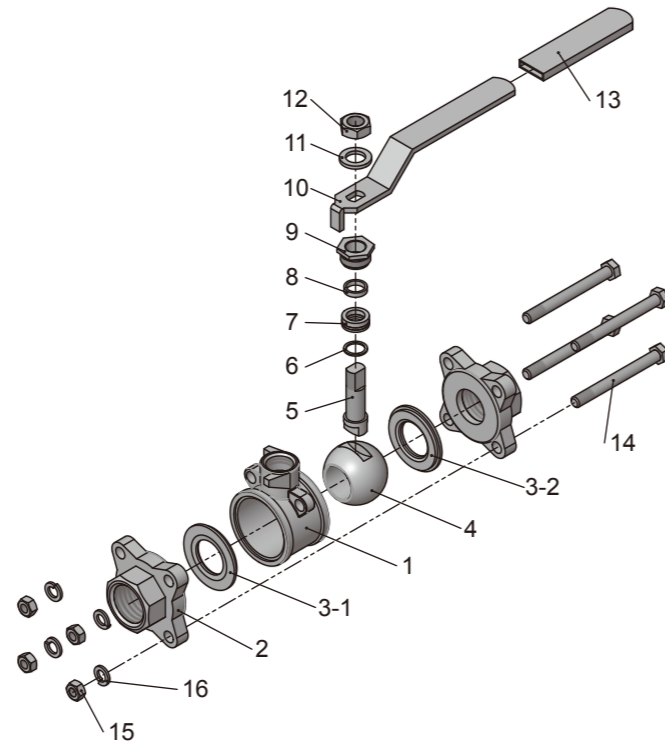
牙口 / 對焊 / 套焊球閥
Threaded End / Butt Weld / Socket Weld End Ball Valve

MODEL

一片式 1-PC : 102 / 118 三片式 3-PC : 301 / 302 / 303 / 305 產品介紹
二片式 2-PC : 201 / 202 / 203 / 207 由任端 Union End : 29U Product Introduction

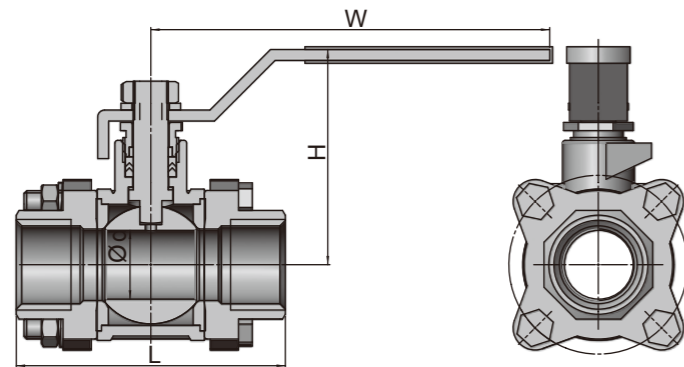
物料表 MATERIAL COMPOSITION

型號 Fig. No. : 301



ITEM	PART NAME	STAINLESS STEEL	CARBON STEEL
1	Body	A351-CF8M	A216-WCB
2	End Caps	A351-CF8M	A216-WCB
3	Seats	PTFE+15%G.F.	PTFE+15%G.F.
4	Ball	A351-CF8M	A351-CF8
5	Stem	SS 316	SS 304
6	Thrust Washer	PTFE	PTFE
7	Packing	PTFE	PTFE
8	Gland Bush	PTFE	PTFE
9	Packing Gland	SS 304	SS 304
10	Handle	SS 304	SS 304
11	Lever Spring Washer	SS 304	SS 304
12	Lever Nut	SS 304	SS 304
13	Handle Cover	VINYL	VINYL
14	Bolt	SS 304	SS 304
15	Nut	SS 304	SS 304
16	Spring Washer	SS 304	SS 304

尺寸圖 DIMENSION LIST



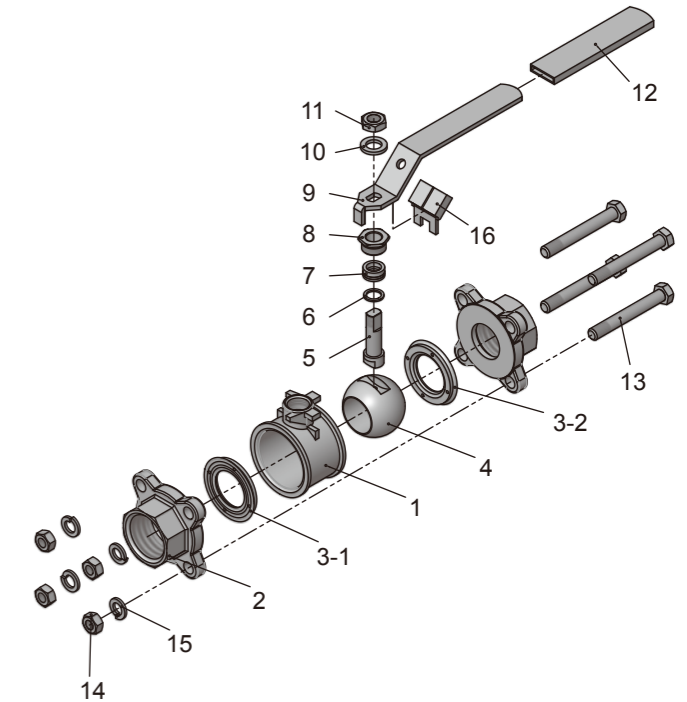
SIZE	d	L	W	H
1/4"	11	63.6	103	49.2
3/8"	12.5	63.6	103	49.2
1/2"	15	73.1	103	53.9
3/4"	20	85.9	109	63.3
1"	25	97.8	145	78.2
1-1/4"	32	120.1	145	82.3
1-1/2"	38	133.6	180	93
2"	50	155.4	180	98.7
2-1/2"	65	186.5	230	130
3"	80	221.2	300	142.1
4"	100	241	400	165.5

* 我方有權隨時變更材質/設計/規格，以便提供品質優良的產品。

We reserve the right to modify the design / specification without previous notice for better quality.

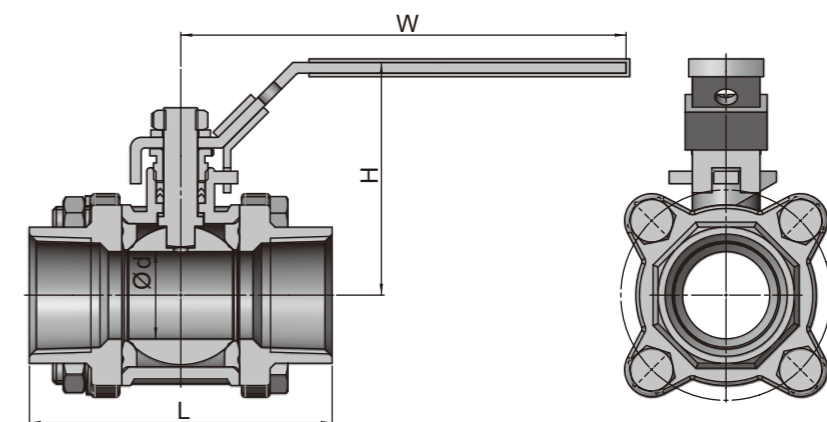
物料表 MATERIAL COMPOSITION

型號 Fig. No. : 302



ITEM	PART NAME	STAINLESS STEEL	CARBON STEEL
1	Body	A351-CF8M	A216-WCB
2	End Caps	A351-CF8M	A216-WCB
3	Seats	PTFE+15%G.F.	PTFE+15%G.F.
4	Ball	A351-CF8M	A351-CF8
5	Stem	SS 316	SS 304
6	Thrust Washer	PTFE	PTFE
7	Packing	PTFE	PTFE
8	Packing Gland	SS 304	SS 304
9	Handle	SS 304	SS 304
10	Lever Spring Washer	SS 304	SS 304
11	Lever Nut	SS 304	SS 304
12	Handle Cover	VINYL	VINYL
13	Bolt	SS 304	SS 304
14	Nut	SS 304	SS 304
15	Spring Washer	SS 304	SS 304
16	Locking Device	SS 304	SS 304

尺寸圖 DIMENSION LIST



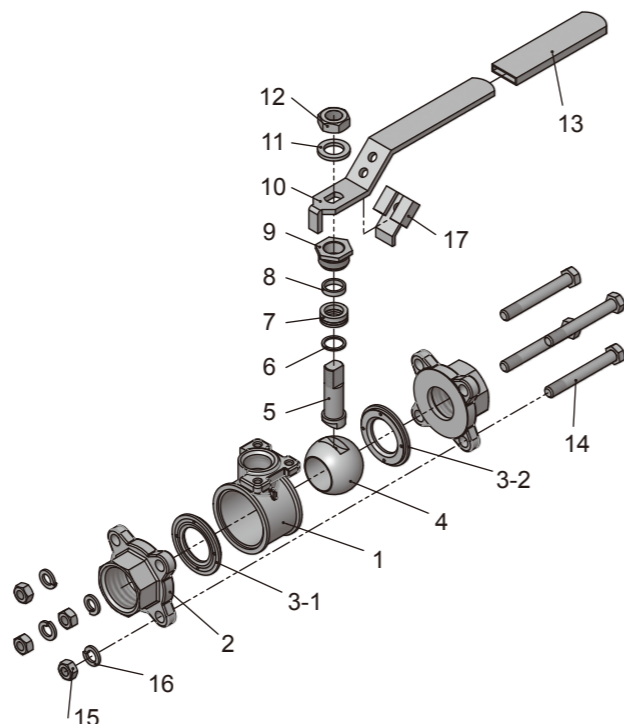
SIZE	d	L	W	H
1/4"	8	55	80	41.4
3/8"	10	55	80	41.4
1/2"	15	65	80	45
3/4"	20	75	100	54.7
1"	24.5	85	125	65.3
1-1/4"	32	100	125	70.9
1-1/2"	38	110	160	84
2"	50	130	160	93.3

* 我方有權隨時變更材質/設計/規格，以便提供品質優良的產品。

We reserve the right to modify the design / specification without previous notice for better quality.

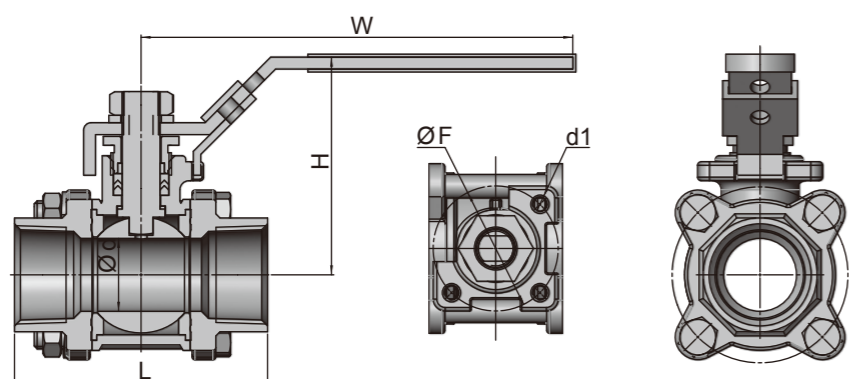
物料表 MATERIAL COMPOSITION

型號 Fig. No. : 303



ITEM	PART NAME	STAINLESS STEEL	CARBON STEEL
1	Body	A351-CF8M	A216-WCB
2	End Caps	A351-CF8M	A216-WCB
3	Seats	PTFE+15%G.F.	PTFE+15%G.F.
4	Ball	A351-CF8M	A351-CF8
5	Stem	SS 316	SS 304
6	Thrust Washer	PTFE	PTFE
7	Packing	PTFE	PTFE
8	Gland Bush	PTFE	PTFE
9	Packing Gland	SS 304	SS 304
10	Handle	SS 304	SS 304
11	Lever Spring Washer	SS 304	SS 304
12	Lever Nut	SS 304	SS 304
13	Handle Cover	VINYL	VINYL
14	Bolt	SS 304	SS 304
15	Nut	SS 304	SS 304
16	Spring Washer	SS 304	SS 304
17	Locking Device	SS 304	SS 304

尺寸圖 DIMENSION LIST



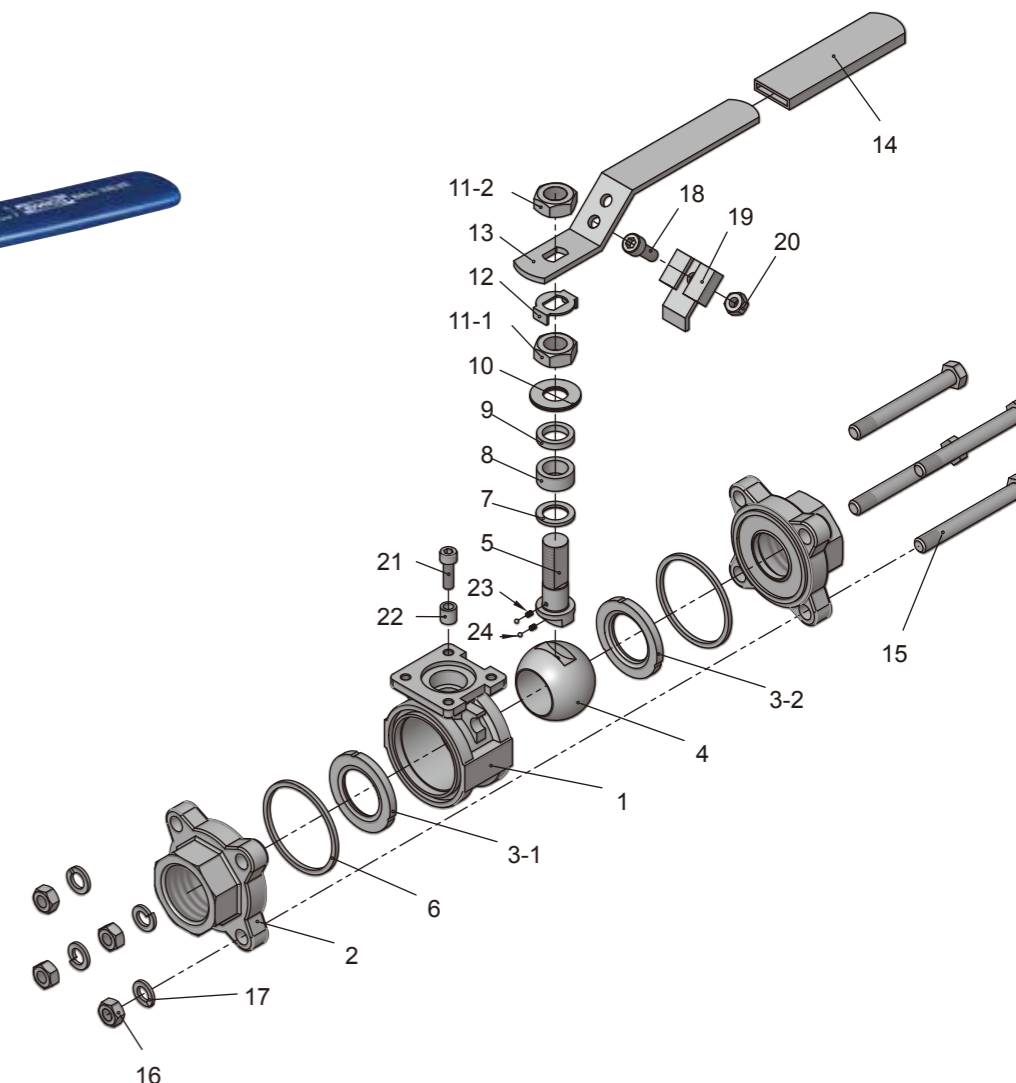
SIZE	d	L	W	H	F	d1
1/4"	10	55	103	46.5	36	M5
3/8"	12.5	55	103	46.5	36	M5
1/2"	15	65	103	49	36	M5
3/4"	20	75	109	58.2	36	M5
1"	24.5	85	145	68.6	42	M5
1-1/4"	32	100	145	74.1	42	M5
1-1/2"	38	110	180	81.6	50	M6
2"	50	130	180	91	50	M6

* 我方有權隨時變更材質/設計/規格，以便提供品質優良的產品。

We reserve the right to modify the design / specification without previous notice for better quality.

物料表 MATERIAL COMPOSITION

型號 Fig. No. : 305



ITEM	PART NAME	STAINLESS STEEL	CARBON STEEL	ITEM	PART NAME	STAINLESS STEEL	CARBON STEEL
1	Body	A351-CF8M	A216-WCB	13	Handle	SS 304	SS 304
2	End Caps	A351-CF8M	A216-WCB	14	Handle Cover	VINYL	VINYL
3	Seats	PTFE+15%G.F.	PTFE+15%G.F.	15	Bolt	SS 304	SS 304
4	Ball	A351-CF8M	A351-CF8	16	Nut	SS 304	SS 304
5	Stem	SS 316	SS 304	17	Spring Washer	SS 304	SS 304
6	Body Seal	PTFE	PTFE	18	Screw	SS 304	SS 304
7	Thrust Washer	PTFE	PTFE	19	Locking Device	SS 304	SS 304
8	Packing	PTFE	PTFE	20	Nut	SS 304	SS 304
9	Gland Ring	SS 304	SS 304	21	Stop Screw	SS 304	SS 304
10	Lever Spring Washer	SS 304	SS 304	22	Stop Ring	SS 304	SS 304
11	Lever Nut	SS 304	SS 304	23	Spring	SS 316	SS 316
12	Locking Tab	SS 304	SS 304	24	Static Device	SS 316	SS 316

* 我方有權隨時變更材質/設計/規格，以便提供品質優良的產品。

We reserve the right to modify the design / specification without previous notice for better quality.



SERIES

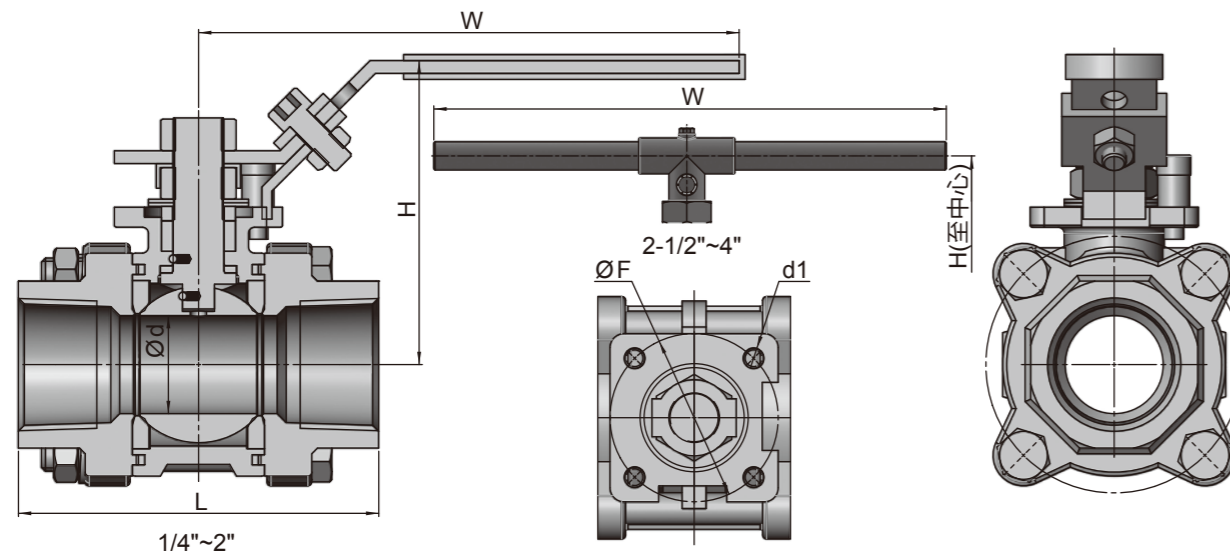
牙口 / 對焊 / 套焊球閥
Threaded End / Butt Weld / Socket Weld End Ball Valve

MODEL

一片式 1-PC : 102 / 118 三片式 3-PC : 301 / 302 / 303 / 305 產品介紹
二片式 2-PC : 201 / 202 / 203 / 207 由任端 Union End : 29U Product Introduction

尺寸圖 DIMENSION LIST

型號 Fig. No. : 305



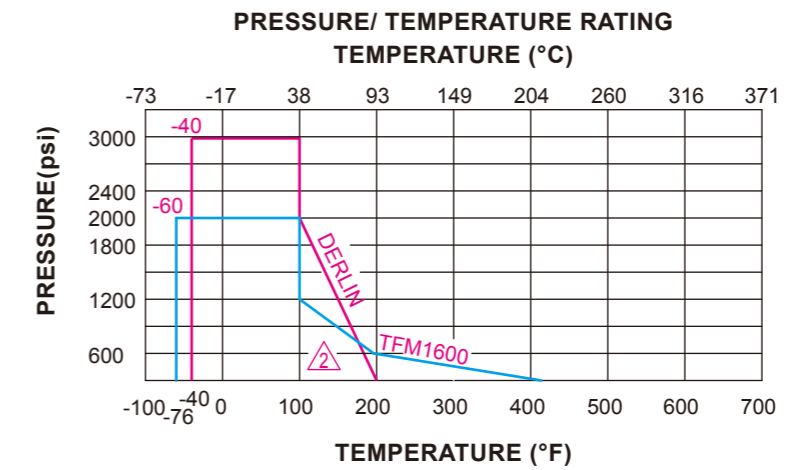
SIZE	d	L	W	H	F	d1
1/4"	10	65	110	46.5	36	M5
3/8"	12.5	65	110	46.5	36	M5
1/2"	16	75	110	52.5	36	M5
3/4"	20	80	110	55	36	M5
1"	24.5	90	135	70.8	42	M5
1-1/4"	32	110	135	76	42	M5
1-1/2"	38	120	165	88.2	50	M6
2"	50	140	165	96.8	50	M6
2-1/2"	65	185	380	138.5	70	M8
3"	80	205	400	159.5	102	M10
4"	100	240	400	174.6	102	M10

* 我方有權隨時變更材質/設計/規格，以便提供品質優良的產品。

We reserve the right to modify the design / specification without previous notice for better quality.

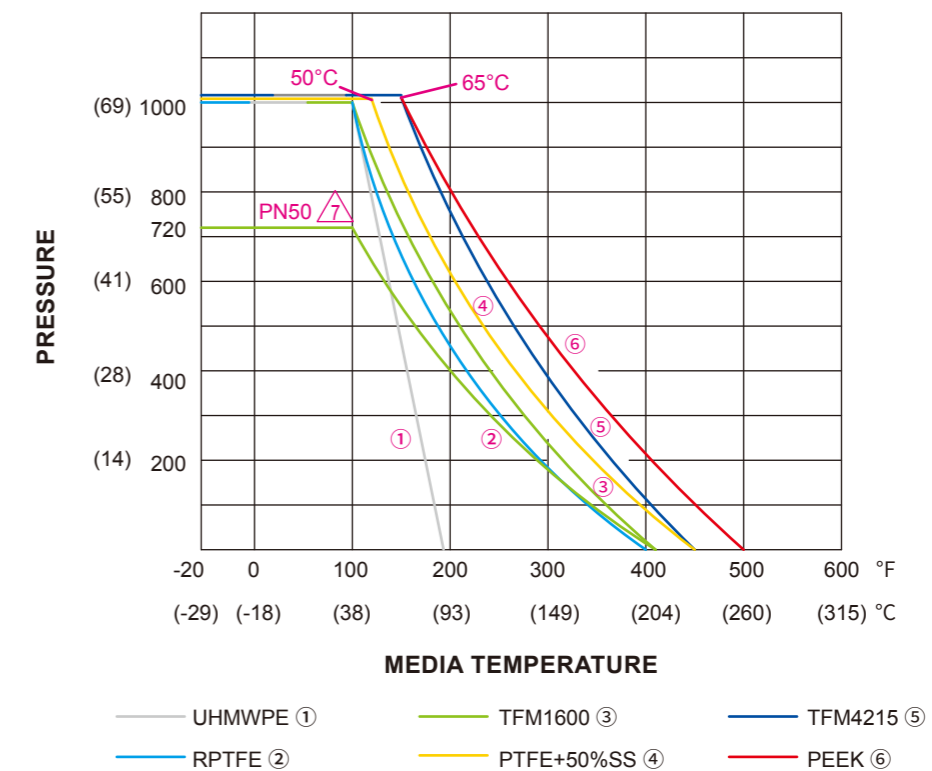
溫度壓力曲線圖 P/T CHART

型號 Fig. No. : 29U



型號 Fig. No. : 102, 201, 202, 207, 301, 302, 303, 305

PRESSURE & TEMPERATURE RATING

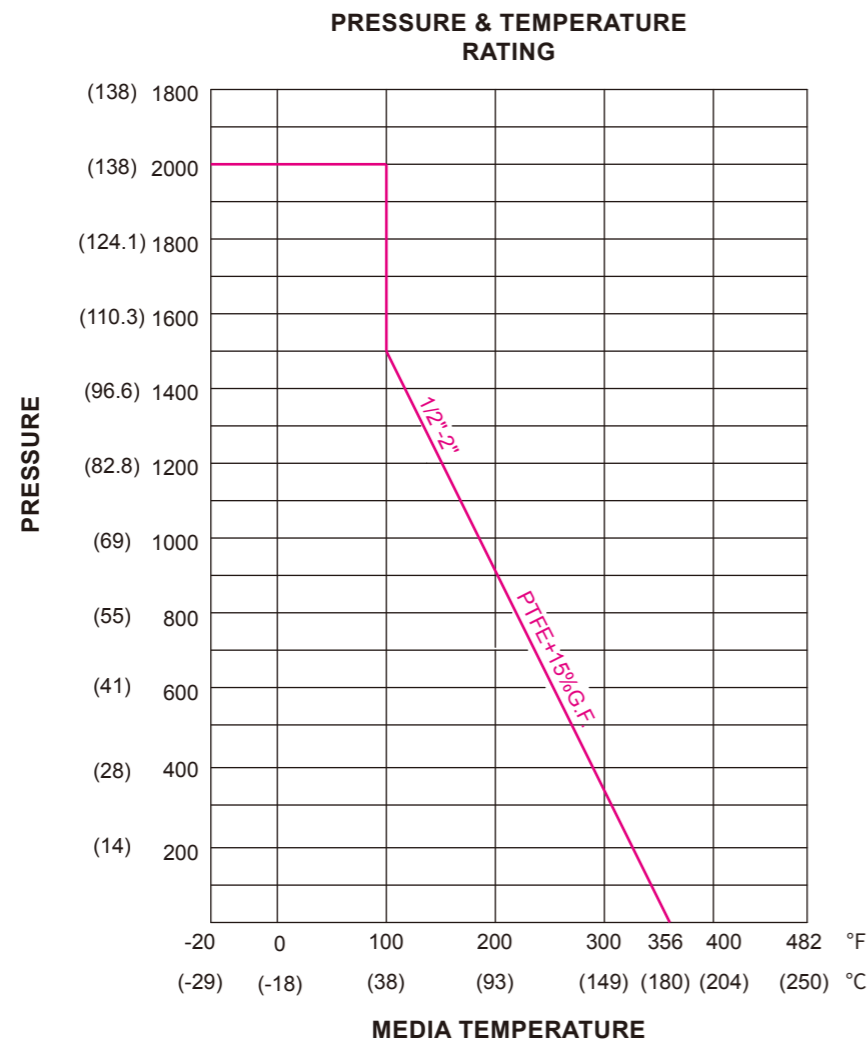


Remark:

- It is recommended that the appropriate seat material, providing a higher pressure & temperature, is selected, if you feel the standard material is borderline and you prefer a larger safety allowance.
- For steam service, options available are PEEK, PTFE+50%SS, or Metal seat, depending on the service application.
- Final selection of seat material is the user's choice, experience & responsibility.
- Solid Lines-Continuous Temperature
Dotted Lines-Intermittent / Peak Temperature

溫度壓力曲線圖 P/T CHART

型號 Fig. No. : 118, 203



Remark:

1. It is recommended that the appropriate seat material, providing a higher pressure & temperature, is selected, if you feel the standard material is borderline and you prefer a larger safety allowance.
2. For steam service, options available are PEEK, PTFE+50%SS, or Metal seat, depending on the service application.
3. Final selection of seat material is the user's choice, experience & responsibility.
4. Solid Lines-Continuous Temperature
Dotted Lines-Intermittent / Peak Temperature