



**應用 APPLICATIONS**

礦業與礦物加工業、水與汙水處理、化工廠、石油與天然氣工業、高壓流體、蒸氣及高溫流體、壓縮天然氣與液化天然氣、一般流體。  
Mining & Mineral Processing, Water & Waste Water, Chemical Plant, Oil & Gas, High Pressure Fluid, Steam & High Temperature Fluid, CNG & LNG, General Fluid.

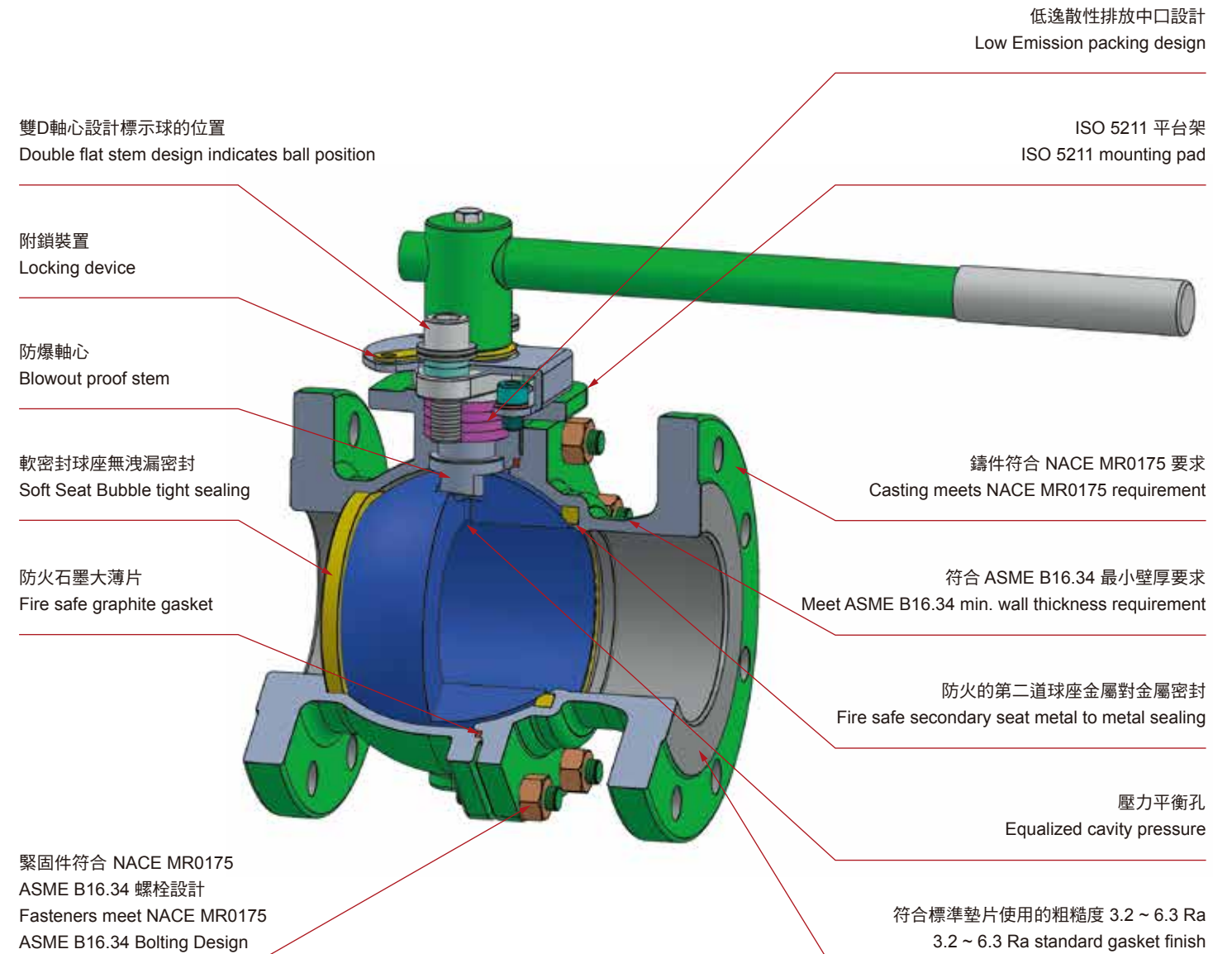
**技術資料 TECHNICAL DATA**

|                          |  |
|--------------------------|--|
| 設計 / 尺寸<br>Design / Size | ASME B16.34, JIS B2071/2081<br>1/2" ~ 12"  |
| 壓力等級<br>Pressure Rating  | ASME Class 150, 300, JIS 10K   |
| 端口<br>End Connections    | 法蘭端<br>Flanged End   |
| 產品檢測<br>Testing          | API 598  |
| 流量<br>Bore               | 減流量 Reduced Bore: 25R<br>全流量 Full Bore: 25A, 25J, 401, 402   |
| 認證<br>Certificate        | API 607: 25A, 25J<br>ISO 15848-1: 25A, 25J<br>AGA AS 4617, AS 4629: 25A, 25J<br>UL: 25A, 25J<br>ATEX: 25A<br>SIL: 25A, 25J<br>PED 2014/68/EU 認證適用於 CE 市場的產品<br>PED 2014/68/EU approval for CE market product |

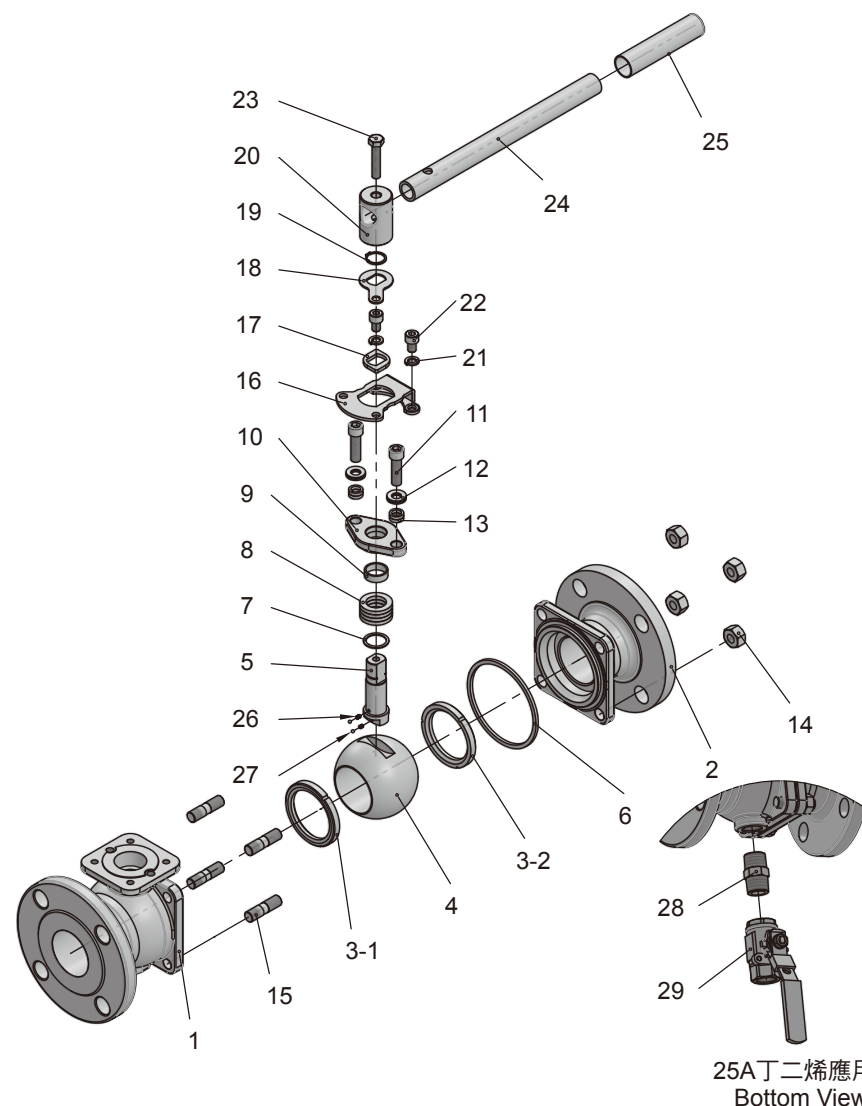
**特點 FEATURES**

- 以具有競爭力的價格提供卓越的閥門設計。
- 易燃和非易燃應用的逸散性洩漏控制。可應要求提供。(25A, 25J)
- 閥門逸散性排放能力通過 ISO 15848-1 第三方認證。可應要求提供。(25A, 25J)
- 可使用於執行器的 ISO 平台架。
- RPTFE密封消除了對產品污染的擔憂。
- 防火認證 API 607。可應要求提供。(25, 25J)
- 較低的操作扭力，便於操作並降低執行器成本。
- 明確的開關位置指示。
- 防爆軸心。
- NACE MR0175 可應要求提供。
- 可使用附鎖裝置。
- 防靜電裝置。
- 根據 ISO 9001 認證的質量體系製造。
- 標準 CE 標示符合 PED 2014/68/EU，可應要求提供。
- 多種球座材質可供選擇。除了標準的球座材質，球座有以下材質可供選擇。每個球座選項將滿足廣泛的性能，適用於許多應用：
  - PTFE + 15% Glass Fiber
  - PTFE + 25% Carbon Fiber
  - Modified PTFE
  - Modified PTFE + 25% Carbon Fiber
  - PTFE + 50% SS
  - PEEK
  - UHMWPE
- \* 請參考溫壓圖
- Superior valve design at a competitive price.
- Fugitive emissions control for flammable and non-flammable applications. Available on request. (25A, 25J)
- Valve fugitive emissions capability third-party certified to ISO 15848-1. Available on request. (25A, 25J)
- Machined ISO actuator mounting pad.
- RPTFE seal relieves concern over product contamination.
- Fire test certified to API 607. Available on request. (25, 25J)
- Lower operating torque for ease of operation and reduced actuator cost.
- Positive position indication.
- Blowout-proof shaft.
- NACE MR0175 available on request.
- Locking device is available.
- Anti-Static Device.
- Manufactured under ISO 9001 certified quality system.
- CE marking PED 2014/68/EU as standard. Available on request.
- Various seat materials are available. In addition to standard seat material, following variety is available. Each material option will meet a wide range of performance, suitable for many applications.
  - PTFE + 15% Glass Fiber
  - PTFE + 25% Carbon Fiber
  - Modified PTFE
  - Modified PTFE + 25% Carbon Fiber
  - PTFE + 50% SS
  - PEEK
  - UHMWPE
- \* Please refer to the Pressure-Temperature rating.

**25A剖面圖**



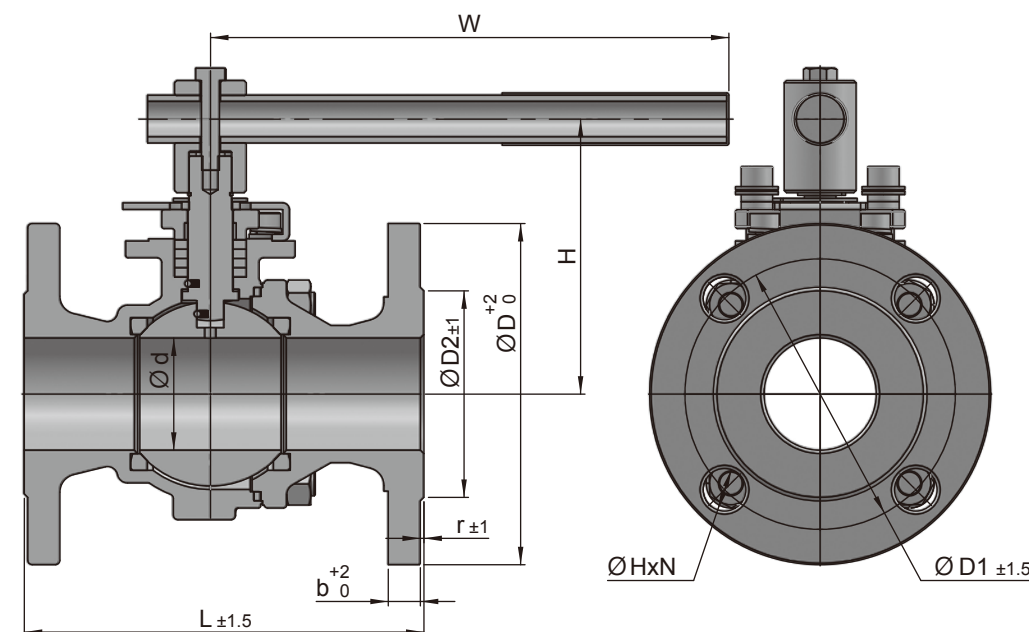
物料表 MATERIAL COMPOSITION



25A丁二烯應用  
Bottom View

| ITEM | PART NAME    | STAINLESS STEEL | CARBON STEEL  | ITEM | PART NAME       | STAINLESS STEEL | CARBON STEEL    |
|------|--------------|-----------------|---------------|------|-----------------|-----------------|-----------------|
| 1    | Body         | A351-CF8M       | A216-WCB      | 16   | Bracket         | SS 304          | SS 304          |
| 2    | End Cap      | A351-CF8M       | A216-WCB      | 17   | Stopper         | 17-4PH          | 17-4PH          |
| 3    | Seat         | PTFE+15% G.F.   | PTFE+15% G.F. | 18   | Locking Plate   | SS 304          | SS 304          |
| 4    | Ball         | A351-CF8M       | A351-CF8M     | 19   | Snap Ring       | SS 420          | SS 420          |
| 5    | Stem         | SS 316          | SS 316        | 20   | Spring Washer   | SS 304          | SS 304          |
| 6    | Body Seal    | 316L+GRAPHITE   | 316L+GRAPHITE | 21   | Spring Washer   | SS 304          | SS 304          |
| 7    | Gasket       | PTFE            | PTFE          | 22   | Screw           | SS 304          | SS 304          |
| 8    | Packing      | GRAPHITE        | GRAPHITE      | 23   | Hex Bolt        | Steel+Zn Plated | Steel+Zn Plated |
| 9    | Stem Bearing | PTFE            | PTFE          | 24   | Pipe            | CS+Zn Plated    | CS+Zn Plated    |
| 10   | Gland Flange | A351-CF8        | A351-CF8      | 25   | Pipe Cover      | VINYL           | VINYL           |
| 11   | Gland Bolt   | SS 304          | SS 304        | 26   | Spring          | SS 316          | SS 316          |
| 12   | Disc Spring  | SS 301          | SS 301        | 27   | Static Device   | SS 316          | SS 316          |
| 13   | Spacer       | SS 304          | SS 304        | 28   | Piping Fittings | SS 316          | SS 316          |
| 14   | Nut          | A194-8M         | A194-2HM      | 29   | Ball Valve      | SS 316          | SS 316          |
| 15   | Stud         | A193-B8M        | A193-B7M      |      |                 |                 |                 |

尺寸圖 DIMENSION LIST



**25A (Class 150)**

| SIZE   | d   | D2  | D1    | D   | b    | r   | L   | ØH-N | W    | H    | ISO5211 |
|--------|-----|-----|-------|-----|------|-----|-----|------|------|------|---------|
| 1/2"   | 16  | 35  | 60.5  | 89  | 9.5  | 1.6 | 108 | 16x4 | 135  | 80   | F05     |
| 3/4"   | 20  | 43  | 70    | 99  | 9.5  | 1.6 | 117 | 16x4 | 135  | 82   | F05     |
| 1"     | 25  | 51  | 79.5  | 108 | 9.7  | 1.6 | 127 | 16x4 | 160  | 84.7 | F07     |
| 1-1/2" | 38  | 73  | 98.5  | 127 | 12.7 | 1.6 | 165 | 16x4 | 230  | 108  | F07     |
| 2"     | 50  | 92  | 120.5 | 152 | 14.2 | 1.6 | 178 | 19x4 | 230  | 130  | F07     |
| 2-1/2" | 65  | 105 | 139.5 | 178 | 15.7 | 1.6 | 190 | 19x4 | 230  | 128  | F07     |
| 3"     | 80  | 127 | 152.5 | 190 | 17.5 | 1.6 | 203 | 19x4 | 350  | 147  | F10     |
| 4"     | 100 | 157 | 190.5 | 229 | 22.4 | 1.6 | 229 | 19x8 | 400  | 178  | F10     |
| 5"     | 127 | 186 | 215.9 | 254 | 22.5 | 1.6 | 356 | 22x8 | 400  | 216  | F10     |
| 6"     | 152 | 216 | 241.5 | 279 | 23.9 | 1.6 | 394 | 22x8 | 800  | 274  | F12     |
| 8"     | 203 | 270 | 298.5 | 343 | 26.9 | 1.6 | 457 | 22x8 | 1100 | 341  | F14     |

**25J (Class 300)**

| SIZE   | d   | D2  | D1    | D   | b    | r   | L   | ØH-N  | W    | H     | ISO5211 |
|--------|-----|-----|-------|-----|------|-----|-----|-------|------|-------|---------|
| 1/2"   | 16  | 35  | 66.7  | 95  | 12.7 | 1.6 | 140 | 16x4  | 135  | 81    | F05     |
| 3/4"   | 20  | 43  | 82.6  | 117 | 14.2 | 1.6 | 152 | 19x4  | 135  | 84.5  | F05     |
| 1"     | 25  | 51  | 88.9  | 124 | 15.7 | 1.6 | 165 | 19x4  | 160  | 85.5  | F05     |
| 1-1/2" | 38  | 73  | 114.3 | 155 | 19   | 1.6 | 190 | 22x4  | 230  | 109.3 | F07     |
| 2"     | 50  | 92  | 127   | 165 | 20.6 | 1.6 | 216 | 19x8  | 230  | 138   | F07     |
| 2-1/2" | 65  | 105 | 149.2 | 190 | 23.9 | 1.6 | 241 | 22x8  | 230  | 155.4 | F07     |
| 3"     | 80  | 127 | 168.3 | 210 | 26.9 | 1.6 | 282 | 22x8  | 350  | 155   | F10     |
| 4"     | 100 | 157 | 200   | 254 | 30.2 | 1.6 | 305 | 22x8  | 400  | 199   | F10     |
| 5"     | 127 | 186 | 235   | 279 | 33.3 | 1.6 | 381 | 22x8  | 400  | 217.4 | F10     |
| 6"     | 152 | 216 | 269.9 | 318 | 35.1 | 1.6 | 403 | 22x12 | 800  | 271.7 | F14     |
| 8"     | 203 | 270 | 330.2 | 381 | 39.6 | 1.6 | 502 | 25x12 | 1100 | 384.3 | F16     |

\* 我方有權隨時變更材質/設計/規格，以便提供品質優良的產品。

We reserve the right to modify the design / specification without previous notice for better quality.

\* 我方有權隨時變更材質/設計/規格，以便提供品質優良的產品。

We reserve the right to modify the design / specification without previous notice for better quality.

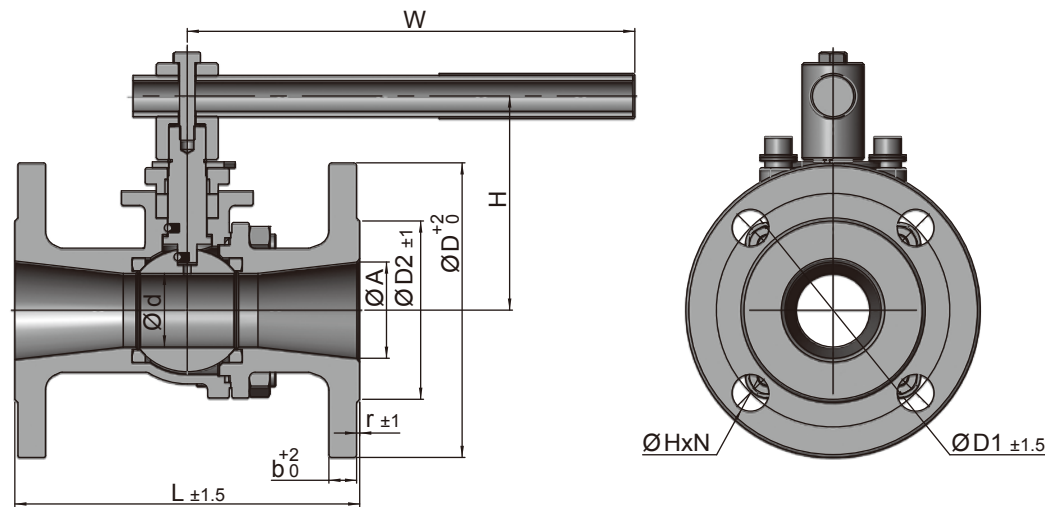
尺寸圖 DIMENSION LIST

**401 (JIS 10K)**

| SIZE   | d   | D2  | D1  | D   | b  | r | L   | ØH-N  | W    | H     | ISO5211 |
|--------|-----|-----|-----|-----|----|---|-----|-------|------|-------|---------|
| 1/2"   | 16  | 51  | 70  | 95  | 11 | 1 | 110 | 15x4  | 135  | 83.7  | F04     |
| 3/4"   | 20  | 56  | 75  | 100 | 13 | 1 | 120 | 15x4  | 135  | 83.7  | F04     |
| 1"     | 25  | 67  | 90  | 125 | 13 | 1 | 130 | 19x4  | 160  | 94.7  | F05     |
| 1-1/4" | 32  | 76  | 100 | 135 | 14 | 2 | 140 | 19x4  | 160  | 98.7  | F05     |
| 1-1/2" | 38  | 81  | 105 | 140 | 14 | 2 | 165 | 19x4  | 230  | 121.3 | F07     |
| 2"     | 50  | 96  | 120 | 155 | 14 | 2 | 180 | 19x4  | 230  | 128.7 | F07     |
| 2-1/2" | 65  | 116 | 140 | 175 | 16 | 2 | 190 | 19x4  | 230  | 140.5 | F07     |
| 3"     | 80  | 126 | 150 | 185 | 16 | 2 | 200 | 19x8  | 350  | 154   | F10     |
| 4"     | 100 | 151 | 175 | 210 | 16 | 2 | 230 | 19x8  | 350  | 170   | F10     |
| 5"     | 125 | 182 | 210 | 250 | 18 | 2 | 300 | 23x8  | 400  | 207   | F10     |
| 6"     | 150 | 212 | 240 | 280 | 20 | 2 | 340 | 23x8  | 850  | 272   | F12     |
| 8"     | 200 | 262 | 290 | 330 | 20 | 2 | 450 | 23x12 | 1200 | 340.5 | F14     |

**402 (Class 150)**

| SIZE   | d   | D2  | D1    | D   | b    | r   | L   | ØH-N | W    | H     | ISO5211 |
|--------|-----|-----|-------|-----|------|-----|-----|------|------|-------|---------|
| 1/2"   | 16  | 35  | 60.5  | 89  | 9.5  | 1.6 | 108 | 16x4 | 135  | 83.7  | F04     |
| 3/4"   | 20  | 43  | 70    | 98  | 9.5  | 1.6 | 117 | 16x4 | 135  | 83.7  | F04     |
| 1"     | 25  | 51  | 79.5  | 108 | 9.7  | 1.6 | 127 | 16x4 | 160  | 94.7  | F05     |
| 1-1/4" | 32  | 64  | 89    | 117 | 11.2 | 1.6 | 140 | 16x4 | 160  | 98.7  | F05     |
| 1-1/2" | 38  | 73  | 98.5  | 127 | 12.7 | 1.6 | 165 | 16x4 | 230  | 121.3 | F07     |
| 2"     | 50  | 92  | 120.5 | 152 | 14.2 | 1.6 | 178 | 19x4 | 230  | 128.7 | F07     |
| 2-1/2" | 65  | 105 | 139.5 | 178 | 15.7 | 1.6 | 190 | 19x4 | 230  | 140.5 | F07     |
| 3"     | 80  | 127 | 152.5 | 190 | 17.5 | 1.6 | 203 | 19x4 | 350  | 154   | F10     |
| 4"     | 100 | 157 | 190.5 | 229 | 22.4 | 1.6 | 229 | 19x8 | 400  | 170   | F10     |
| 5"     | 125 | 186 | 215.9 | 254 | 22.5 | 1.6 | 356 | 22x8 | 400  | 207   | F10     |
| 6"     | 150 | 216 | 241.5 | 279 | 23.9 | 1.6 | 394 | 22x8 | 800  | 272   | F12     |
| 8"     | 200 | 270 | 298.5 | 343 | 26.9 | 1.6 | 457 | 22x8 | 1100 | 340.5 | F14     |



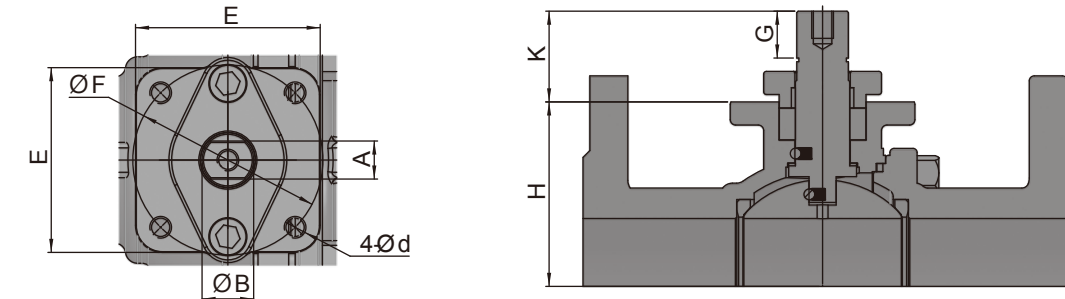
**25R (Class 150 Reduced Bore)**

| SIZE   | d    | A   | D2    | D1    | D   | b    | r   | L   | ØH-N  | W    | H     | ISO5211 |
|--------|------|-----|-------|-------|-----|------|-----|-----|-------|------|-------|---------|
| 1"     | 20   | 25  | 51    | 79.5  | 108 | 9.7  | 1.6 | 127 | 16x4  | 135  | 77.1  | F05     |
| 1-1/2" | 31.8 | 38  | 73.2  | 98.5  | 127 | 12.7 | 1.6 | 165 | 16x4  | 160  | 90.7  | F05     |
| 2"     | 38   | 50  | 92    | 120.5 | 152 | 14.3 | 1.6 | 178 | 19x4  | 230  | 110.5 | F07     |
| 3"     | 65   | 80  | 127   | 152.4 | 190 | 17.5 | 1.6 | 203 | 19x4  | 350  | 155.7 | F10     |
| 4"     | 80   | 100 | 157   | 190.5 | 229 | 22.3 | 1.6 | 229 | 19x8  | 350  | 177.8 | F10     |
| 6"     | 127  | 152 | 216   | 241.5 | 279 | 23.9 | 1.6 | 267 | 22x8  | 400  | 222.6 | F10     |
| 8"     | 152  | 203 | 270   | 298.5 | 343 | 27   | 1.6 | 292 | 22x8  | 800  | 268.5 | F12     |
| 10"    | 203  | 250 | 323.8 | 362   | 406 | 28.6 | 1.6 | 330 | 25x12 | 1200 | 340.5 | F14     |

\* 我方有權隨時變更材質/設計/規格，以便提供品質優良的產品。

We reserve the right to modify the design / specification without previous notice for better quality.

平台架尺寸 DIMENSIONS OF ISO MOUNTING PAD



**25A (Class 150)**

| SIZE   | A  | B  | d   | E     | F   | G    | K    | H     | ISO5211 |
|--------|----|----|-----|-------|-----|------|------|-------|---------|
| 1/2"   | 8  | 12 | M6  | 50.7  | 50  | 4.8  | 22.2 | 43.1  | F05     |
| 3/4"   | 8  | 12 | M6  | 50.7  | 50  | 7.6  | 22.2 | 43.1  | F05     |
| 1"     | 10 | 15 | M6  | 68    | 50  | 13.2 | 30   | 50.6  | F07     |
| 1-1/2" | 14 | 19 | M8  | 75.5  | 70  | 17.2 | 36.8 | 60.9  | F07     |
| 2"     | 14 | 19 | M8  | 75.5  | 70  | 17.2 | 36.8 | 60.2  | F07     |
| 2-1/2" | 14 | 19 | M8  | 68    | 70  | 17.3 | 36.8 | 80    | F07     |
| 3"     | 16 | 24 | M10 | 95.3  | 102 | 24.5 | 49.5 | 96.2  | F10     |
| 4"     | 20 | 30 | M10 | 110   | 102 | 24.5 | 51.4 | 120   | F10     |
| 5"     | 20 | 30 | M10 | 96    | 102 | 24.5 | 51.4 | 150   | F10     |
| 6"     | 26 | 38 | M12 | 115   | 125 | 32.6 | 64.3 | 184   | F12     |
| 8"     | 32 | 48 | M16 | 137.5 | 140 | 42.0 | 77.5 | 237.5 | F14     |

**25J (Class 300)**

| SIZE   | A  | B  | d   | E     | F   | G    | K    | H     | ISO5211 |
|--------|----|----|-----|-------|-----|------|------|-------|---------|
| 1/2"   | 8  | 12 | M6  | 50    | 50  | 8.4  | 23.2 | 43.1  | F05     |
| 3/4"   | 8  | 12 | M6  | 50    | 50  | 8.4  | 23.2 | 43.1  | F05     |
| 1"     | 10 | 15 | M6  | 50    | 50  | 13.2 | 30   | 50.6  | F05     |
| 1-1/2" | 14 | 19 | M8  | 68    | 70  | 16.8 | 36.3 | 60.9  | F07     |
| 2"     | 14 | 19 | M8  | 68    | 70  | 17.2 | 36.7 | 74.2  | F07     |
| 2-1/2" | 16 | 24 | M10 | 96    | 102 | 24.5 | 48.5 | 85.7  | F10     |
| 3"     | 16 | 24 | M10 | 96    | 102 | 24.5 | 47   | 103.2 | F10     |
| 4"     | 20 | 30 | M10 | 92    | 102 | 24.5 | 48.9 | 127   | F10     |
| 6"     | 32 | 48 | M16 | 137.5 | 125 | 42   | 74.4 | 203.2 | F12     |
| 8"     | 40 | 58 | M20 | 165   | 140 | 44.9 | 88.5 | 260.5 | F14     |

**25R (Class 150 Reduced Bore)**

| SIZE   | A  | B  | d   | E     | F   | G    | K    | H     | ISO5211 |
|--------|----|----|-----|-------|-----|------|------|-------|---------|
| 1"     | 8  | 12 | M6  | 48    | 50  | 7.6  | 22.2 | 39    | F05     |
| 1-1/2" | 10 | 15 | M6  | 48    | 50  | 16.2 | 30   | 50.6  | F05     |
| 2"     | 14 | 19 | M8  | 68    | 70  | 16.8 | 36.8 | 61.6  | F07     |
| 3"     | 16 | 24 | M10 | 96    | 102 | 24.5 | 49.5 | 85    | F10     |
| 4"     | 16 | 24 | M10 | 96    | 102 | 24.5 | 49.5 | 107.1 | F10     |
| 6"     | 20 | 30 | M10 | 96    | 102 | 24.5 | 51.4 | 150   | F10     |
| 8"     | 26 | 38 | M12 | 115   | 125 | 32.5 | 66.5 | 184   | F12     |
| 10"    | 32 | 48 | M16 | 137.5 | 140 | 37.1 | 77.5 | 237.5 | F14     |

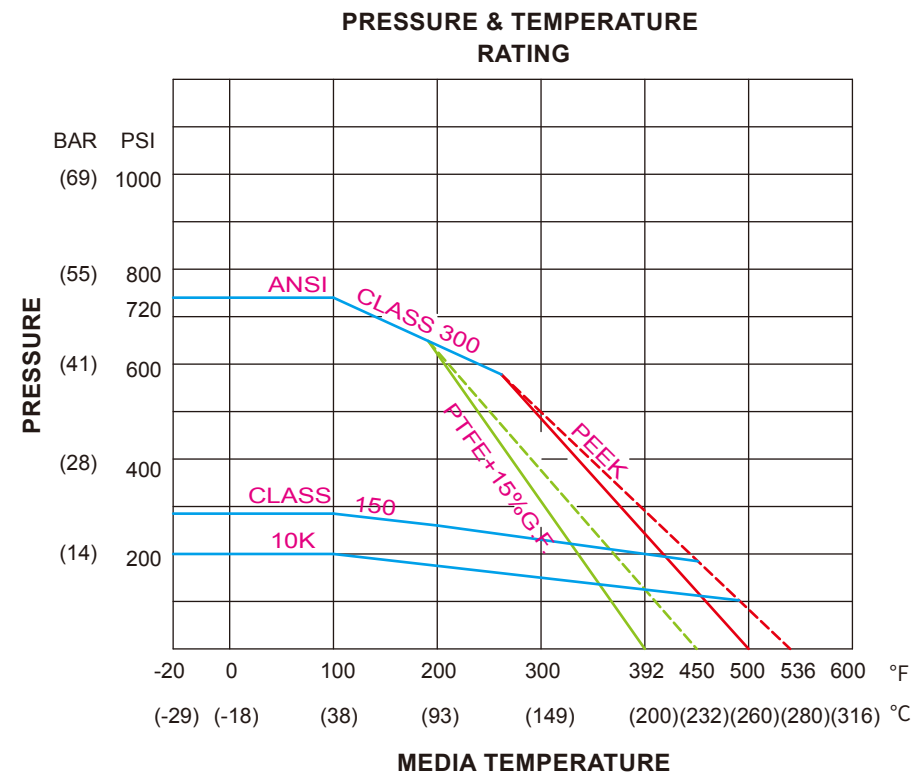
**401 (JIS 10K) / 402 (Class 150)**

| SIZE   | A  | B  | d   | E     | F   | G    | K    | H     | ISO5211 |
|--------|----|----|-----|-------|-----|------|------|-------|---------|
| 1/2"   | 8  | 12 | M5  | 42    | 42  | 7.6  | 19.4 | 38.5  | F04     |
| 3/4"   | 8  | 12 | M5  | 42    | 42  | 7.6  | 19.4 | 38.5  | F04     |
| 1"     | 10 | 15 | M6  | 48    | 50  | 13.2 | 27.1 | 45    | F05     |
| 1-1/4" | 10 | 15 | M6  | 48    | 50  | 13.2 | 27.9 | 48.5  | F05     |
| 1-1/2" | 14 | 19 | M8  | 68    | 70  | 17.3 | 33.4 | 60.5  | F07     |
| 2"     | 14 | 19 | M8  | 68    | 70  | 17.3 | 33.4 | 67.9  | F07     |
| 2-1/2" | 14 | 19 | M8  | 68    | 70  | 17.3 | 33.3 | 80    | F07     |
| 3"     | 16 | 24 | M10 | 96    | 102 | 24.3 | 44.6 | 101   | F10     |
| 4"     | 16 | 24 | M10 | 96    | 102 | 24.3 | 44.6 | 117   | F10     |
| 5"     | 20 | 30 | M10 | 92    | 102 | 24.3 | 47.2 | 148   | F10     |
| 6"     | 26 | 38 | M12 | 115   | 125 | 32.6 | 63   | 182   | F12     |
| 8"     | 32 | 48 | M16 | 137.5 | 140 | 42   | 76.5 | 233.5 | F14     |

\* 我方有權隨時變更材質/設計/規格，以便提供品質優良的產品。

We reserve the right to modify the design / specification without previous notice for better quality.

溫度壓力曲線圖 P/T CHART



Remark:

1. It is recommended that the appropriate seat material, providing a higher pressure & temperature, is selected, if you feel the standard material is borderline and you prefer a larger safety allowance.
2. For steam service, options available are PEEK, PTFE+50%SS, or Metal seat, depending on the service application.
3. Final selection of seat material is the user's choice, experience & responsibility.
4. Solid Lines-Continuous Temperature  
Dotted Lines-Intermittent / Peak Temperature