



**針閥**  
Needle Valve

MODEL **N5**



**應用 APPLICATIONS**

低壓液壓系統、化學流體、天然氣&液體管線、流量計量。  
Low-pressure Hydraulic Systems, Chemical Processing, Gas & Liquid Services, Flow Metering Applications.

**技術資料 TECHNICAL DATA**

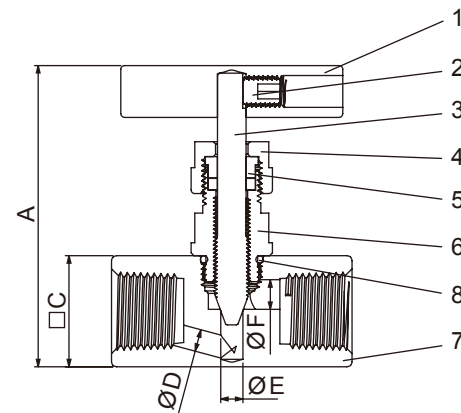
設計 Design	B16.34
尺寸 Size	1/8" ~ 2"
壓力等級 Pressure Rating	6000 WOG
端口 End Connections	牙口端 Threaded
產品檢測 Testing	API 598

**特點 FEATURES**

- 以具有競爭力的價格提供卓越的閥門設計。
- 精準地控制管路中流體的流量及壓力。
- 明確的方向指示。
- 根據 ISO 9001 認證的質量體系製造。
- Superior valve design at a competitive price.
- Accurately control the pressure and flow rate of a fluid flowing inside the pipeline.
- Positive Direction indication.
- Manufactured under ISO 9001 certified quality system.

**物料表 MATERIAL COMPOSITION**

ITEM	PART NAME	SPECIFICATION
1	Handle	SUS304
2	Screw	SUS304
3	Spindle	SUS316
4	Nut	SUS304
5	Packing	PTFE
6	Base	SUS304
7	Body	SUS316
8	Seal	1/8"~1" -> VITON ; 1-1/2"~2" -> PTFE



**尺寸圖 DIMENSION LIST**

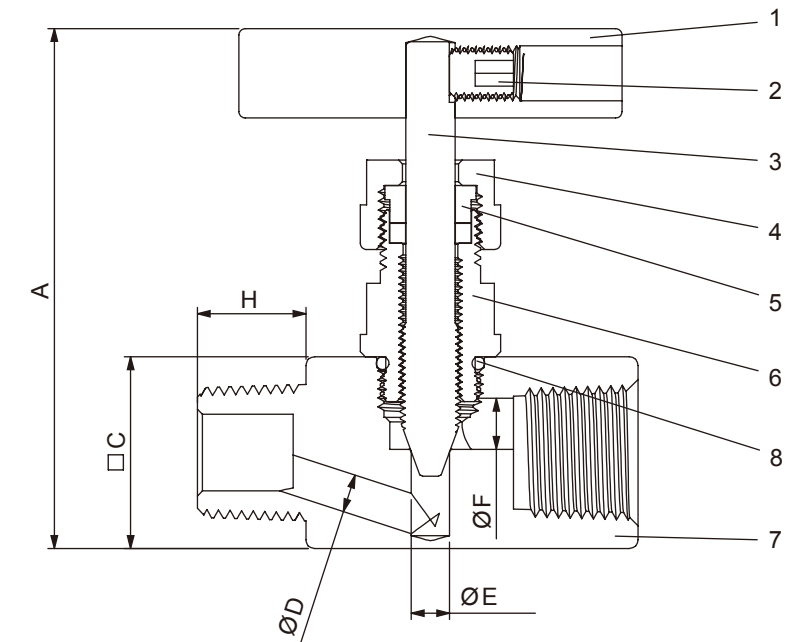
**N5 (6000psi)**

SIZE	A	B	C	D	E	F
1/8"	77	45.50	22	5	6	5
1/4"	77	45.50	22	5	6	5
3/8"	78	59	25	5	6	6.3
1/2"	81	65	30	6	6	8
3/4"	113	70	35	8	8	10
1"	117	80	45	8	8	12
1-1/2"	154.5	100	60	10	10	12
2"	165.75	110	73	11	11	13.5

\* 我方有權隨時變更材質/設計/規格，以便提供品質優良的產品。

We reserve the right to modify the design / specification without previous notice for better quality.

**物料表 MATERIAL COMPOSITION**



ITEM	PART NAME	SPECIFICATION
1	Handle	SUS304
2	Screw	SUS304
3	Spindle	SUS316
4	Nut	SUS304
5	Packing	PTFE
6	Base	SUS304
7	Body	CF8M
8	O-ring	VITON

**尺寸圖 DIMENSION LIST**

**N5 (6000psi)**

SIZE	A	B	H	C	D	E	F
1/4"	77	54	14	22	5	6	5
3/8"	78	60.5	15	25	5	6	6.3
1/2"	81	69	17	30	6	6	8
3/4"	113	76	18	35	8	8	10
1"	117	83	21	45	8	8	12

\* 我方有權隨時變更材質/設計/規格，以便提供品質優良的產品。

We reserve the right to modify the design / specification without previous notice for better quality.